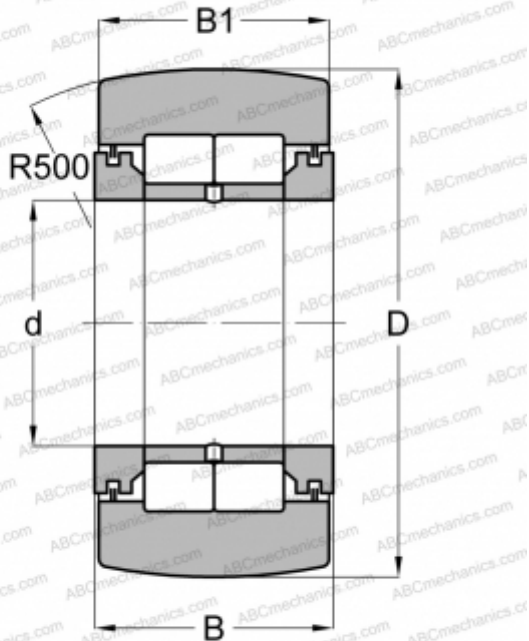


NURT 20 R IKO

Yoke type track roller

TYPE: Roller bearings, Yoke type track rollers, With axial guidance, Full complement cylindrical roller set, labyrinth seals on both sides



Technical specification

DIMENSIONS, MM

d	20,000
D	47,000
B	25,000
B1	24,000

WEIGHT, KG

0,245

MANUFACTURER

[IKO](#)

INTERCHANGE

ABC	NUTR 20
FAG	NUTR 20(NUTD 20)
INA	NUTR 20
SKF	NUTR 20 A
McGill	MCYRD-20

CALCULATION DATA

Basic dynamic load rating, C	38,900 kN
Basic static load rating, Co	49,000 kN