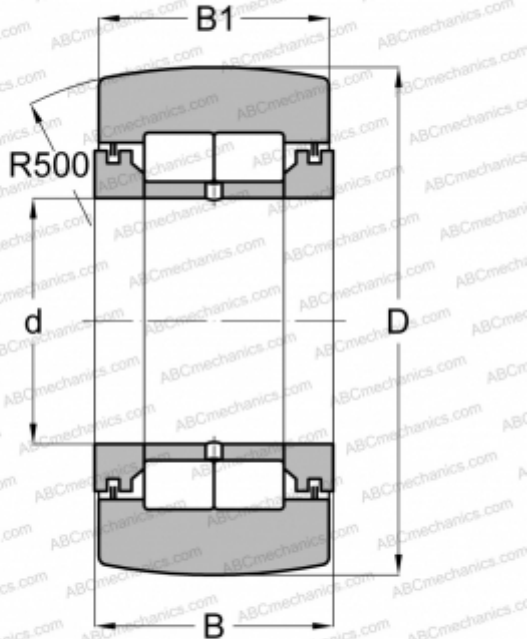


## NURT 40 R IKO

Yoke type track roller

TYPE: Roller bearings, Yoke type track rollers, With axial guidance, Full complement cylindrical roller set, labyrinth seals on both sides



### Technical specification

#### DIMENSIONS, MM

d	40,000
D	80,000
B	32,000
B1	30,000

#### WEIGHT, KG

0,817

#### MANUFACTURER

[IKO](#)

#### INTERCHANGE

ABC	<a href="#">NUTR 40</a>
FAG	<a href="#">NUTR 40(NUTD 40)</a>
INA	<a href="#">NUTR 40</a>
SKF	<a href="#">NUTR 40 A</a>
McGill	<a href="#">MCYRD-40</a>

#### CALCULATION DATA

Basic dynamic load rating, C	86,500 kN
Basic static load rating, Co	122,000 kN