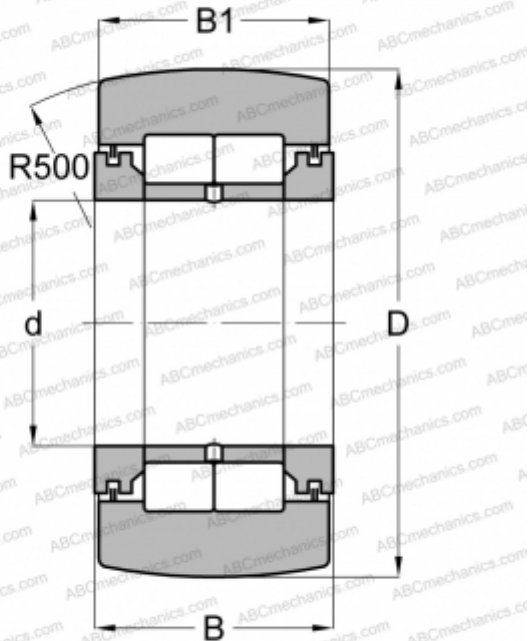


## NUTR 50 R IKO

Yoke type track roller

TYPE: Roller bearings, Yoke type track rollers, With axial guidance, Full complement cylindrical roller set, labyrinth seals on both sides



### Technical specification

#### DIMENSIONS, MM

d	50,000
D	90,000
B	32,000
B1	30,000

#### WEIGHT, KG

0,950

#### MANUFACTURER

[IKO](#)

#### INTERCHANGE

ABC	<a href="#">NUTR 50</a>
FAG	<a href="#">NUTR 50(NUTD 50)</a>
INA	<a href="#">NUTR 50</a>
SKF	<a href="#">NUTR 50 A</a>
McGill	<a href="#">MCYRD-50</a>

#### CALCULATION DATA

Basic dynamic load rating, C	96,300 kN
Basic static load rating, Co	148,000 kN