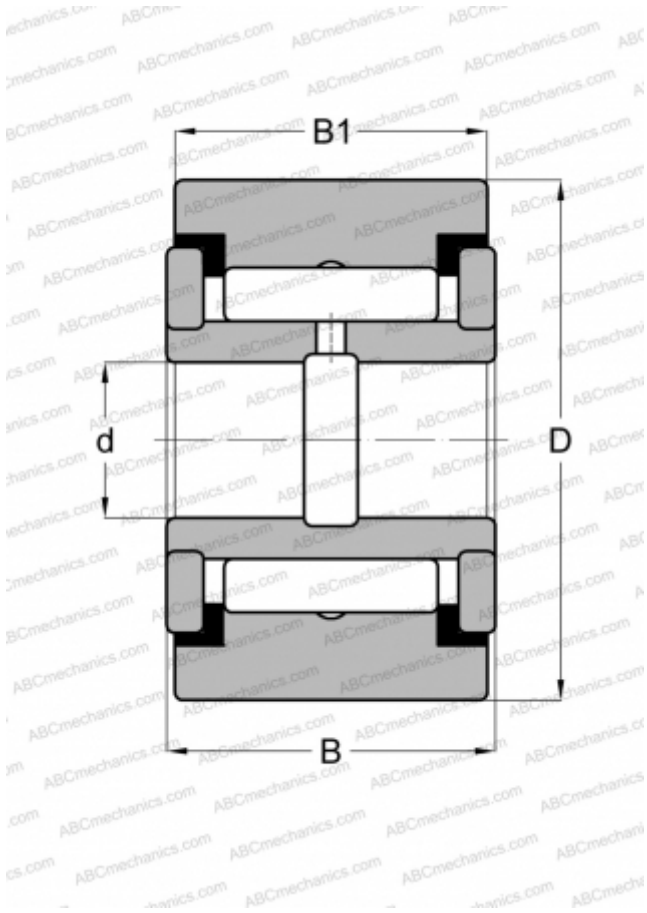


## CRY 14 V IKO

Yoke type track roller

TYPE: Roller bearings, Yoke type track rollers, With axial guidance, Full complement needle roller set, gap seals on both sides, cylindrical outer ring, inch size



### Technical specification

#### DIMENSIONS, MM

d	6,350
D	22,225
B	14,288
B1	12,700

#### WEIGHT, KG

0,036

#### MANUFACTURER

[IKO](#)

#### INTERCHANGE

ABC	<a href="#">CRY 14 V</a>
McGill	<a href="#">CVR 7/8</a>

#### CALCULATION DATA

Basic dynamic load rating, C	8,710 kN
Basic static load rating, Co	12,300 kN