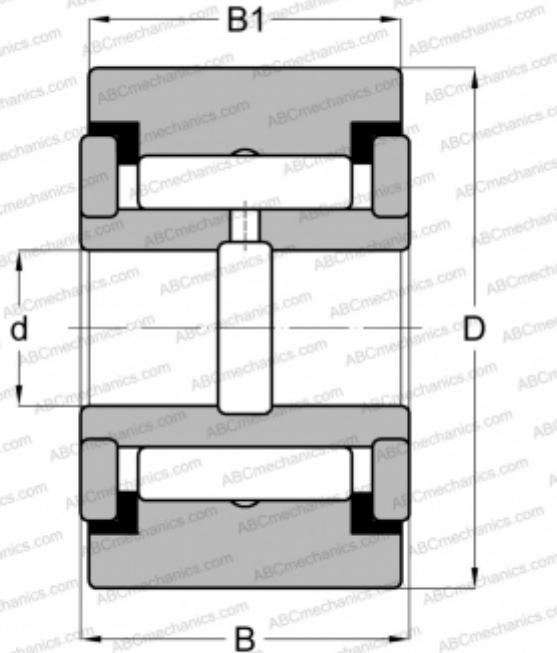


## CRY 18 V IKO

Yoke type track roller

TYPE: Roller bearings, Yoke type track rollers, With axial guidance, Full complement needle roller set, gap seals on both sides, cylindrical outer ring, inch size



### Technical specification

#### DIMENSIONS, MM

d	9,938
D	28,575
B	17,463
B1	15,875

#### WEIGHT, KG

0,077

#### MANUFACTURER

[IKO](#)

#### INTERCHANGE

ABC	<a href="#">CRY 18 V</a>
McGill	<a href="#">Cyr 1 1/8</a>

#### CALCULATION DATA

Basic dynamic load rating, C	13,100 kN
Basic static load rating, Co	22,700 kN