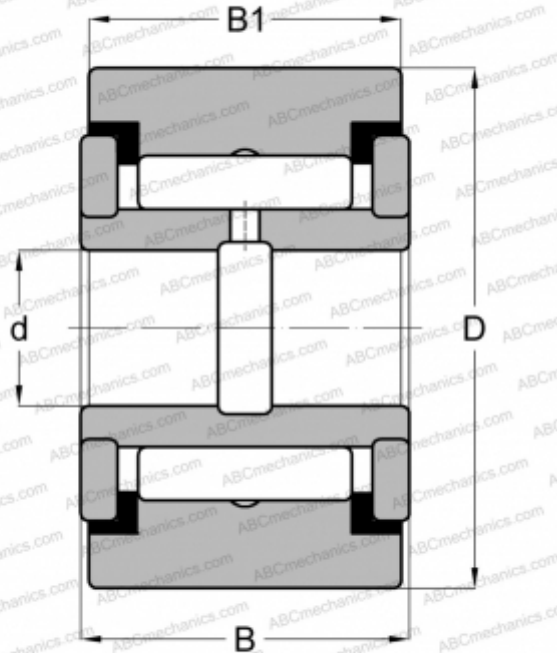


## CRY 20 V ABC

Yoke type track roller

TYPE: Roller bearings, Yoke type track rollers, With axial guidance, Full complement needle roller set, gap seals on both sides, cylindrical outer ring, inch size



### Technical specification

#### DIMENSIONS, MM

d	9,525
D	31,750
B	20,638
B1	19,050

#### WEIGHT, KG

0,109

#### MANUFACTURER

[ABC](#)

#### INTERCHANGE

IKO	<a href="#">CRY 20 V</a>
McGill	<a href="#">CVR 1 1/4</a>