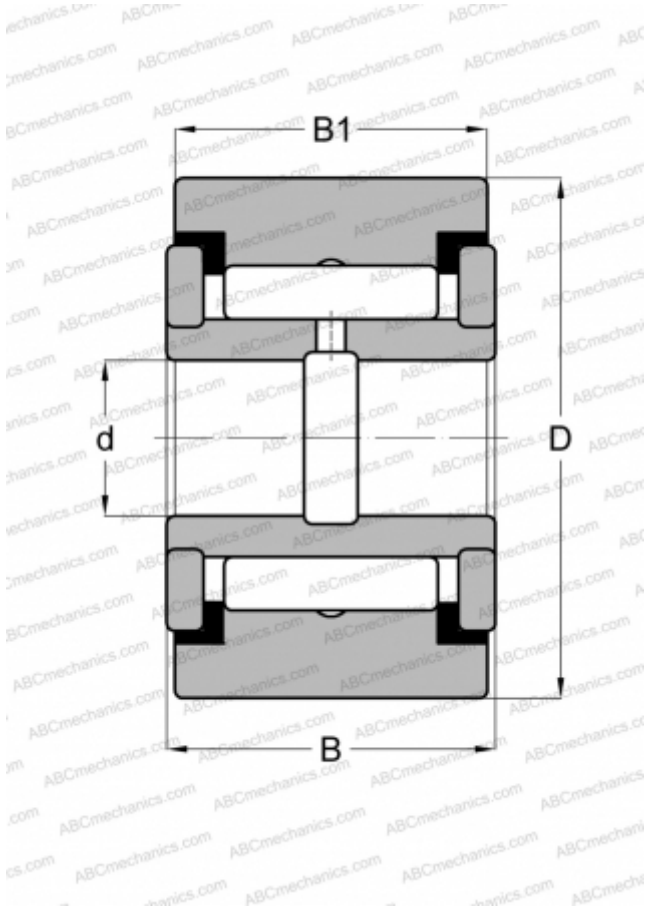


CRY 26 V IKO

Yoke type track roller

TYPE: Roller bearings, Yoke type track rollers, With axial guidance, Full complement needle roller set, gap seals on both sides, cylindrical outer ring, inch size



Technical specification

DIMENSIONS, MM

| | |
|----|--------|
| d | 11,112 |
| D | 41,275 |
| B | 23,813 |
| B1 | 22,225 |

WEIGHT, KG

0,227

MANUFACTURER

[IKO](#)

INTERCHANGE

| | |
|--------|---------------------------|
| ABC | CRY 26 V |
| McGill | CVR 1 5/8 |

CALCULATION DATA

| | |
|------------------------------|-----------|
| Basic dynamic load rating, C | 28,200 kN |
| Basic static load rating, Co | 40,100 kN |