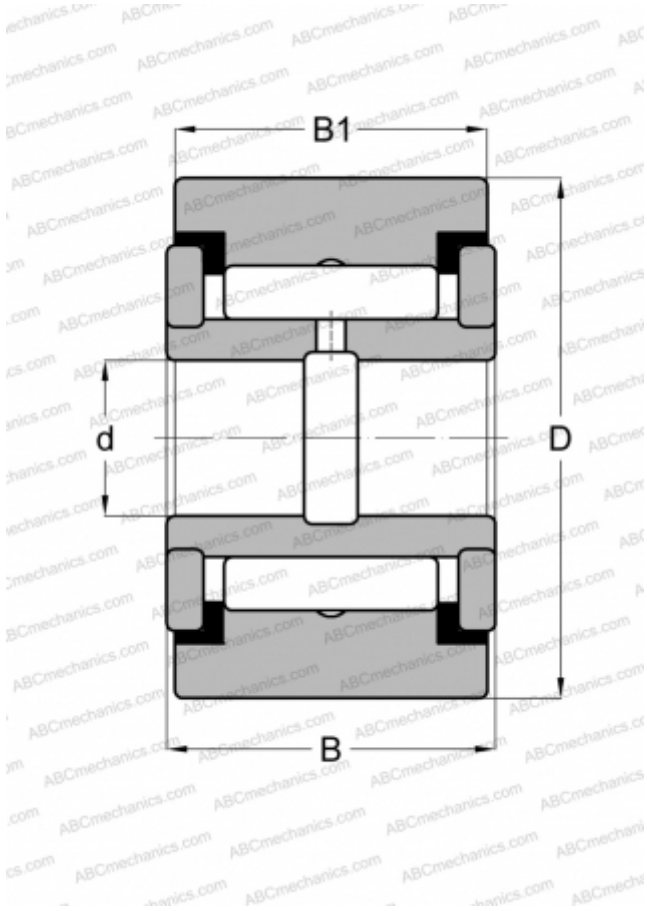


## CRY 30 V IKO

Yoke type track roller

TYPE: Roller bearings, Yoke type track rollers, With axial guidance, Full complement needle roller set, gap seals on both sides, cylindrical outer ring, inch size



### Technical specification

#### DIMENSIONS, MM

d	12,700
D	47,625
B	26,988
B1	25,400

#### WEIGHT, KG

0,363

#### MANUFACTURER

[IKO](#)

#### INTERCHANGE

ABC	<a href="#">CRY 30 V</a>
McGill	<a href="#">CVR 1 7/8</a>

#### CALCULATION DATA

Basic dynamic load rating, C	35,300 kN
Basic static load rating, Co	55,600 kN