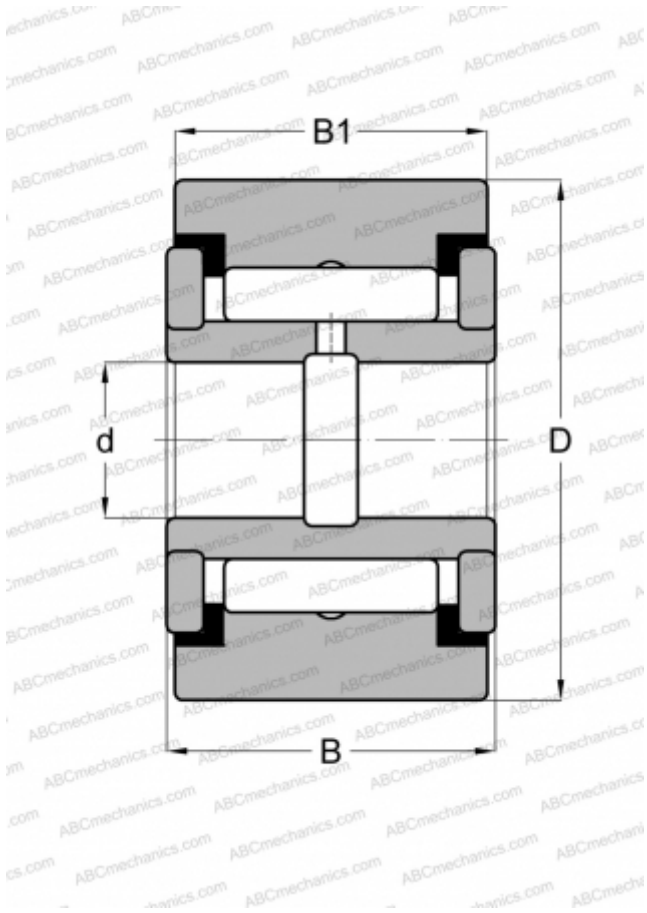


## CRY 48 V IKO

Yoke type track roller

TYPE: Roller bearings, Yoke type track rollers, With axial guidance, Full complement needle roller set, gap seals on both sides, cylindrical outer ring, inch size



### Technical specification

#### DIMENSIONS, MM

d	25,400
D	76,200
B	46,038
B1	44,450

#### WEIGHT, KG

1,410

#### MANUFACTURER

[IKO](#)

#### INTERCHANGE

ABC	<a href="#">CRY 48 V</a>
McGill	<a href="#">CVR 3</a>

#### CALCULATION DATA

Basic dynamic load rating, C	77,600 kN
Basic static load rating, Co	172,000 kN