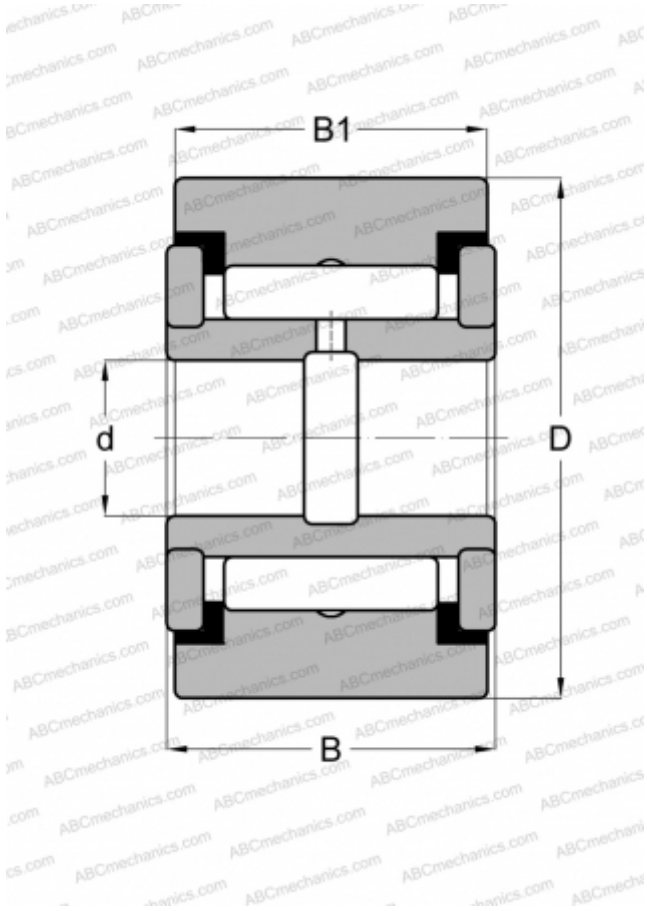


CRY 52 V IKO

Yoke type track roller

TYPE: Roller bearings, Yoke type track rollers, With axial guidance, Full complement needle roller set, gap seals on both sides, cylindrical outer ring, inch size



Technical specification

DIMENSIONS, MM

| | |
|----|--------|
| d | 25,400 |
| D | 82,550 |
| B | 46,038 |
| B1 | 44,450 |

WEIGHT, KG

1,640

MANUFACTURER

[IKO](#)

INTERCHANGE

| | |
|--------|---------------------------|
| ABC | CRY 52 V |
| McGill | CVR 3 1/4 |

CALCULATION DATA

| | |
|------------------------------|------------|
| Basic dynamic load rating, C | 77,600 kN |
| Basic static load rating, Co | 172,000 kN |