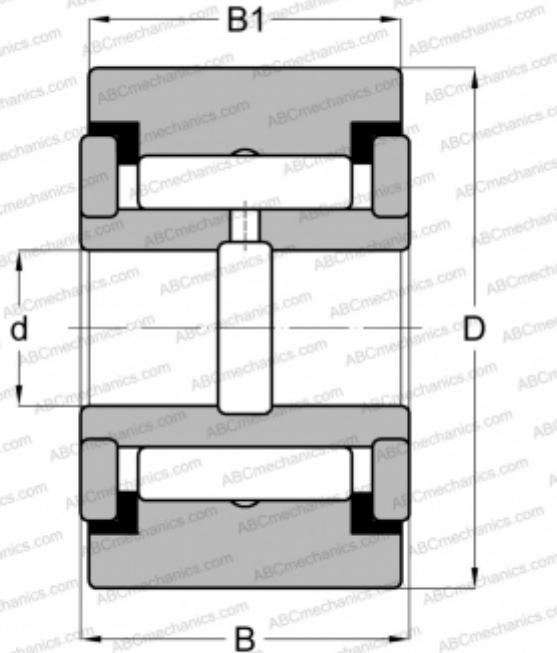


CRY 64 V ABC

Yoke type track roller

TYPE: Roller bearings, Yoke type track rollers, With axial guidance, Full complement needle roller set, gap seals on both sides, cylindrical outer ring, inch size



Technical specification

DIMENSIONS, MM

d	31,750
D	101,600
B	58,738
B1	57,150

WEIGHT, KG

3,200

MANUFACTURER

[ABC](#)

INTERCHANGE

IKO	CRY 64 V
McGill	CVR 4