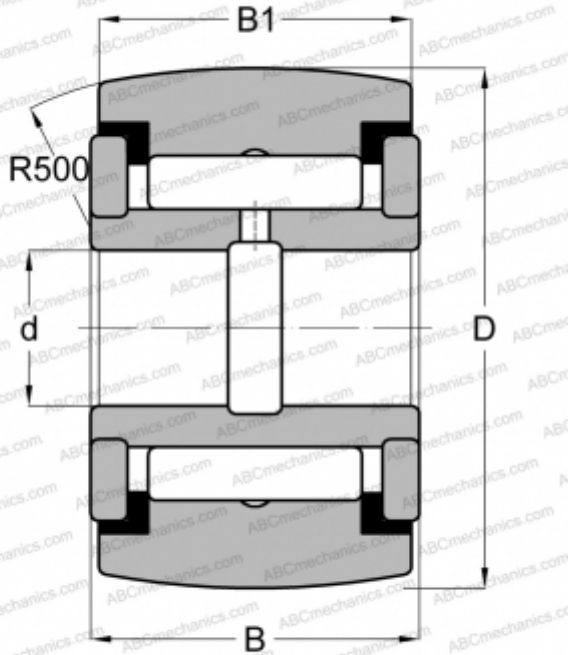


CRY 12 VR ABC

Yoke type track roller

TYPE: Roller bearings, Yoke type track rollers, With axial guidance, Full complement needle roller set, gap seals on both sides, inch size



Technical specification

DIMENSIONS, MM

d	6,350
D	19,050
B	14,288
B1	12,700

MANUFACTURER

[ABC](#)

INTERCHANGE

IKO	CRY 12 VR
McGill	CCYR 3/4