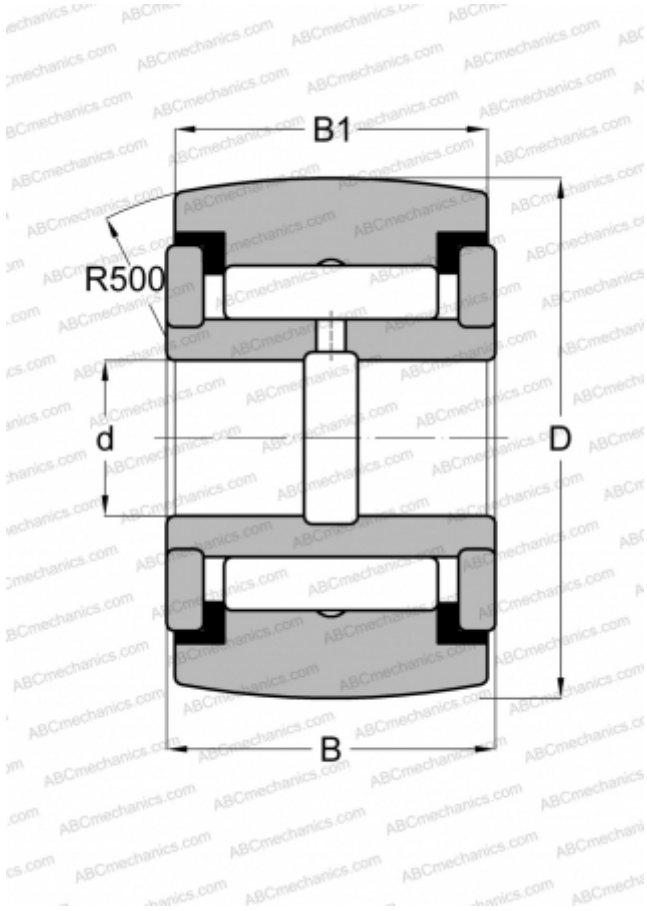


## CRY 16 VR ABC

Yoke type track roller

TYPE: Roller bearings, Yoke type track rollers, With axial guidance, Full complement needle roller set, gap seals on both sides, inch size



### Technical specification

#### DIMENSIONS, MM

d	7,938
D	25,400
B	17,463
B1	15,875

#### MANUFACTURER

[ABC](#)

#### INTERCHANGE

IKO	<a href="#">CRY 16 VR</a>
McGill	<a href="#">CCYR 1</a>