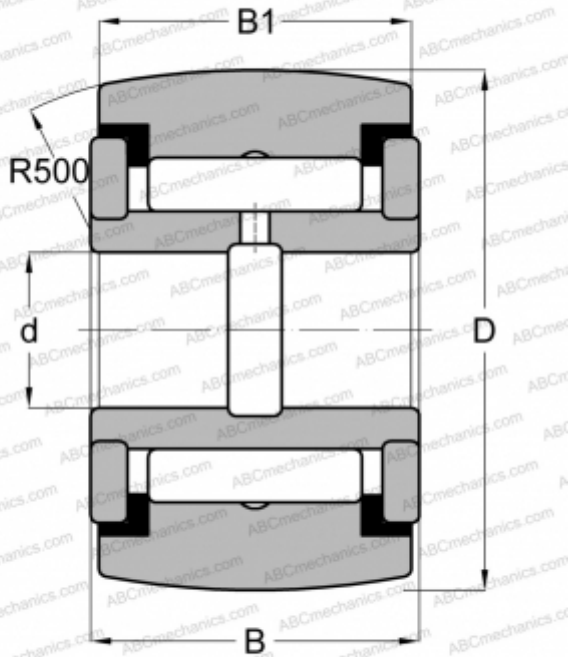


CRY 16 VR IKO

Yoke type track roller

TYPE: Roller bearings, Yoke type track rollers, With axial guidance, Full complement needle roller set, gap seals on both sides, inch size



Technical specification

DIMENSIONS, MM

d	7,938
D	25,400
B	17,463
B1	15,875

MANUFACTURER

[IKO](#)

INTERCHANGE

ABC	CRY 16 VR
McGill	CCYR 1

CALCULATION DATA

Basic dynamic load rating, C	13,100 kN
Basic static load rating, Co	22,700 kN