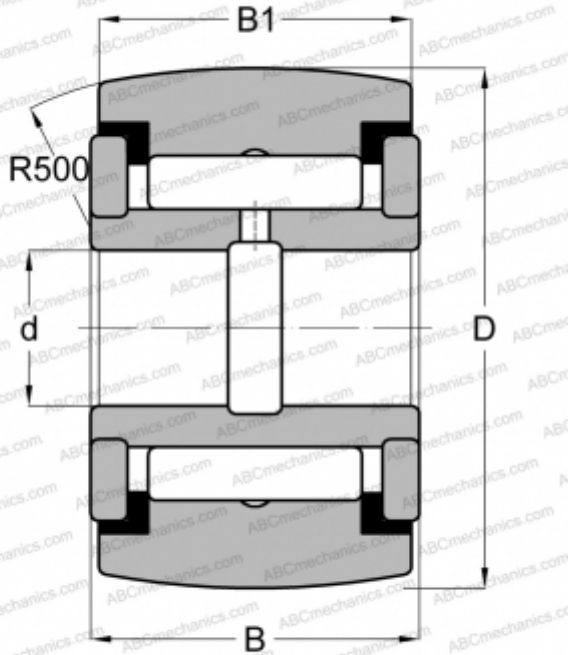


## CCYR 1 McGill

Yoke type track roller

TYPE: Roller bearings, Yoke type track rollers, With axial guidance, Full complement needle roller set, gap seals on both sides, inch size



### Technical specification

#### DIMENSIONS, MM

d	7,938
D	25,400
B	17,463
B1	15,875

#### MANUFACTURER

[McGill](#)

#### INTERCHANGE

ABC	<a href="#">CRY 16 VR</a>
IKO	<a href="#">CRY 16 VR</a>