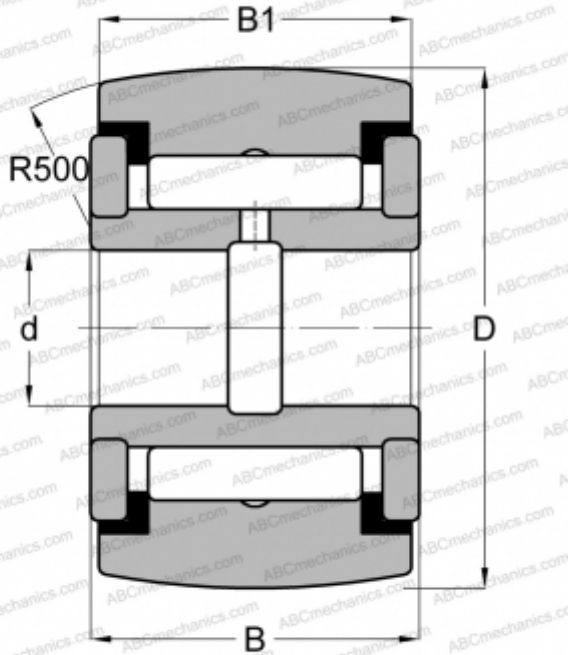


CRY 20 VR ABC

Yoke type track roller

TYPE: Roller bearings, Yoke type track rollers, With axial guidance, Full complement needle roller set, gap seals on both sides, inch size



Technical specification

DIMENSIONS, MM

d	9,525
D	31,750
B	20,638
B1	19,050

MANUFACTURER

[ABC](#)

INTERCHANGE

IKO	CRY 20 VR
McGill	CCYR 1 1/4