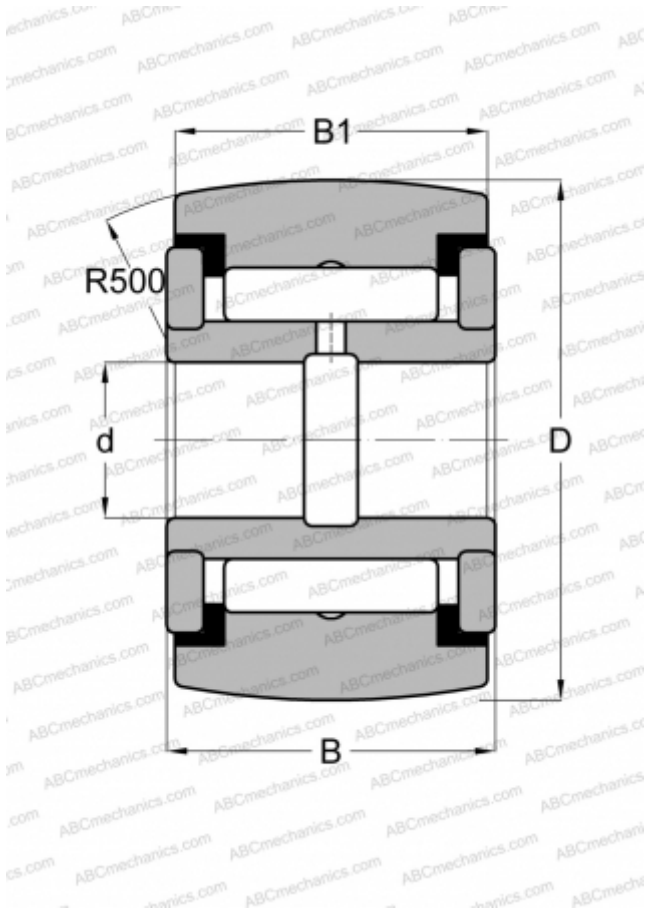


## CRY 20 VR IKO

Yoke type track roller

TYPE: Roller bearings, Yoke type track rollers, With axial guidance, Full complement needle roller set, gap seals on both sides, inch size



### Technical specification

#### DIMENSIONS, MM

d	9,525
D	31,750
B	20,638
B1	19,050

#### MANUFACTURER

[IKO](#)

#### INTERCHANGE

ABC	<a href="#">CRY 20 VR</a>
McGill	<a href="#">CCYR 1 1/4</a>

#### CALCULATION DATA

Basic dynamic load rating, C	23,600 kN
Basic static load rating, Co	31,700 kN