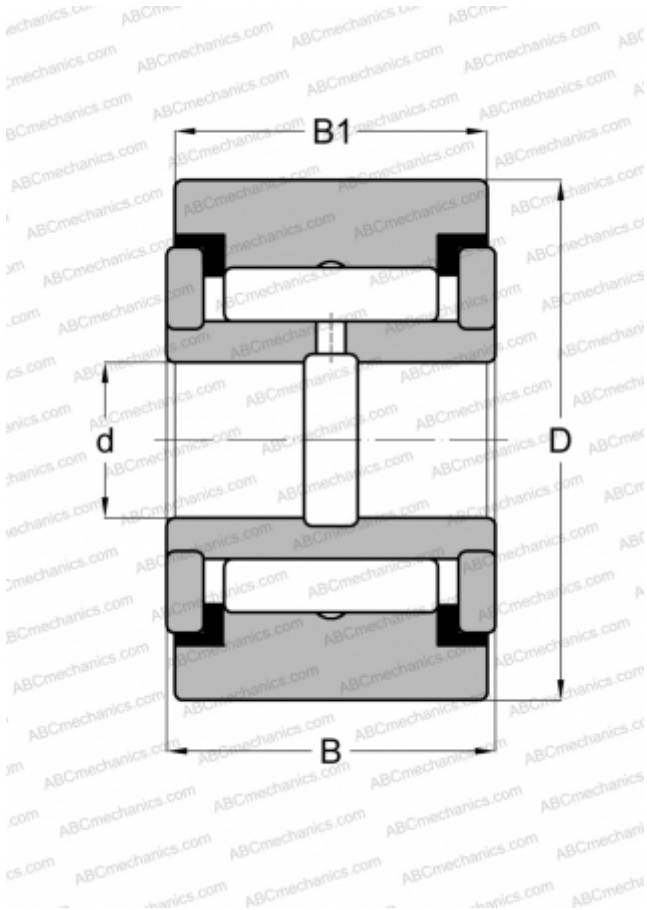


CRY 12 VUU IKO

Yoke type track roller

TYPE: Roller bearings, Yoke type track rollers, With axial guidance, Full complement needle roller set, sealing rings on both sides, cylindrical outer ring, inch size



Technical specification

DIMENSIONS, MM

d	6,350
D	19,050
B	14,288
B1	12,700

WEIGHT, KG

0,027

MANUFACTURER

[IKO](#)

INTERCHANGE

ABC	YCRS 12
INA	RF 12 PP
McGill	CYR 3/4 S
RBC	Y 24 L
SKF	YR 3/4 X
TORRINGTON	YCRS 12

CALCULATION DATA

Basic dynamic load rating, C	8,710 kN
Basic static load rating, Co	12,300 kN