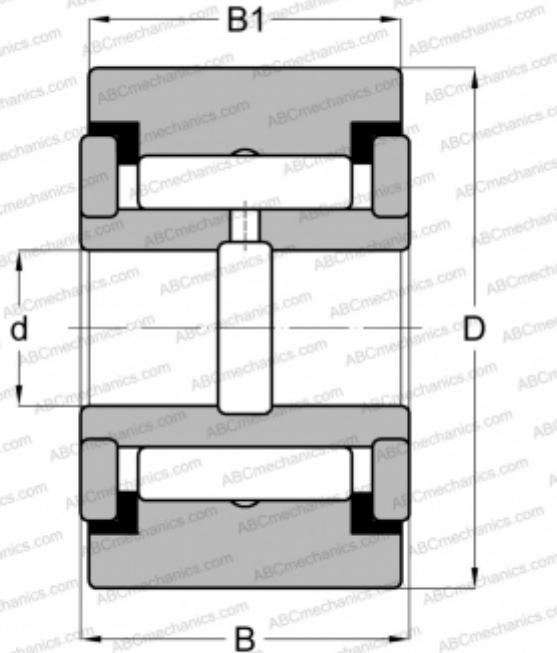


RF 48 PP INA

Yoke type track roller

TYPE: Roller bearings, Yoke type track rollers, With axial guidance, Full complement needle roller set, sealing rings on both sides, cylindrical outer ring, inch size



Technical specification

DIMENSIONS, MM

d	25,400
D	76,200
B	46,038
B1	44,450

WEIGHT, KG

1,406

MANUFACTURER

[INA](#)

INTERCHANGE

ABC	YCRS 48
McGill	CVR 3 S
RBC	Y 96 L
SKF	YR 3 X
TORRINGTON	YCRS 48
IKO	CRY 48 VUU