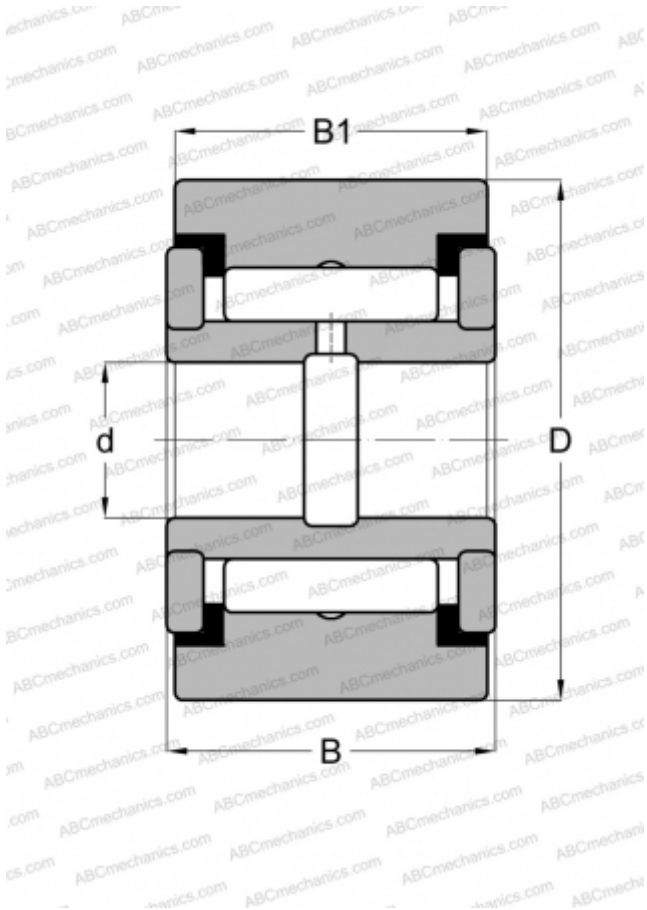


CRY 48 VUU IKO

Yoke type track roller

TYPE: Roller bearings, Yoke type track rollers, With axial guidance, Full complement needle roller set, sealing rings on both sides, cylindrical outer ring, inch size



Technical specification

DIMENSIONS, MM

d	25,400
D	76,200
B	46,038
B1	44,450

WEIGHT, KG

1,410

MANUFACTURER

[IKO](#)

INTERCHANGE

ABC	YCRS 48
INA	RF 48 PP
McGill	CYR 3 S
RBC	Y 96 L
SKF	YR 3 X
TORRINGTON	YCRS 48

CALCULATION DATA

Basic dynamic load rating, C	77,600 kN
Basic static load rating, Co	172,000 kN