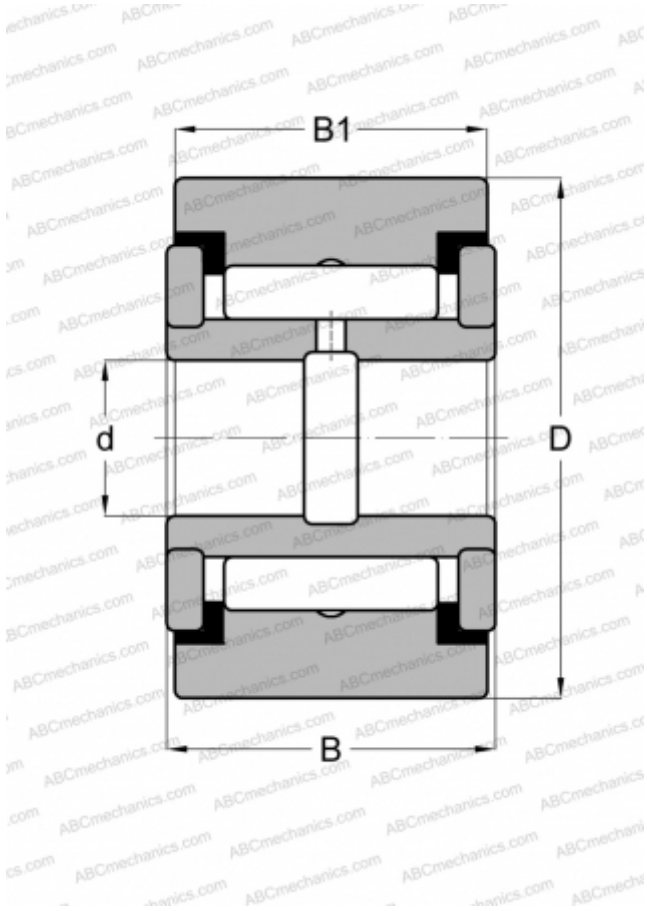


## CRY 56 VUU IKO

Yoke type track roller

TYPE: Roller bearings, Yoke type track rollers, With axial guidance, Full complement needle roller set, sealing rings on both sides, cylindrical outer ring, inch size



### Technical specification

#### DIMENSIONS, MM

d	28,575
D	88,900
B	52,388
B1	50,800

#### WEIGHT, KG

2,250

#### MANUFACTURER

[IKO](#)

#### INTERCHANGE

ABC	<a href="#">YCRS 56</a>
INA	<a href="#">RF 56 PP</a>
McGill	<a href="#">CYR 3 1/2 S</a>
RBC	<a href="#">Y 112 L</a>
SKF	<a href="#">YR 3 1/2 X</a>
TORRINGTON	<a href="#">YCRS 56</a>

#### CALCULATION DATA

Basic dynamic load rating, C	111,000 kN
Basic static load rating, Co	239,000 kN