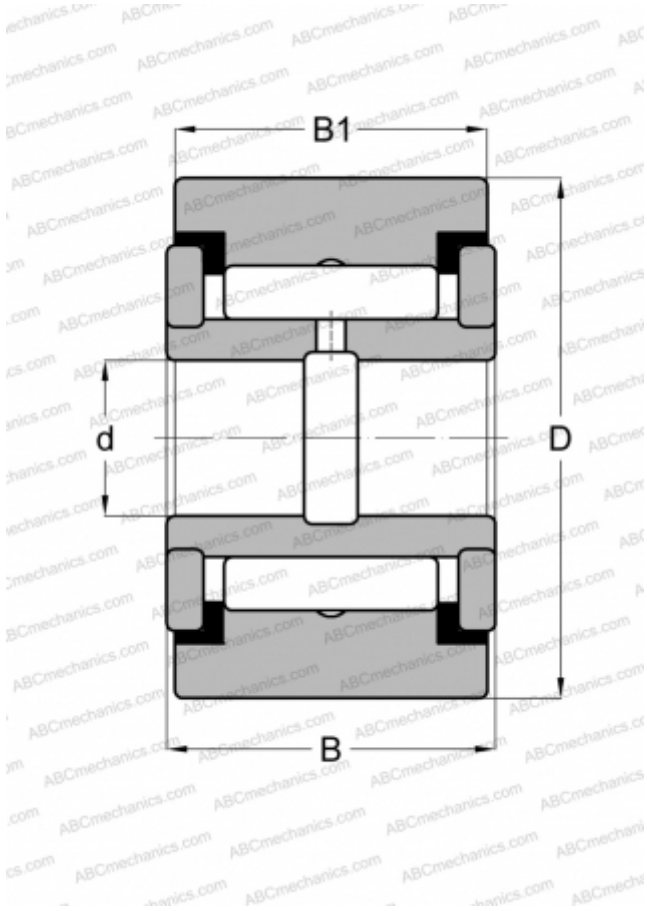


CYR 6 S McGill

Yoke type track roller

TYPE: Roller bearings, Yoke type track rollers, With axial guidance, Full complement needle roller set, sealing rings on both sides, cylindrical outer ring, inch size



Technical specification

DIMENSIONS, MM

d	57,150
D	152,400
B	85,725
B1	82,550

WEIGHT, KG

9,934

MANUFACTURER

[McGill](#)

INTERCHANGE

ABC	YCRS 96
RBC	Y 192 L
SKF	YR 6 X
TORRINGTON	YCRS 96