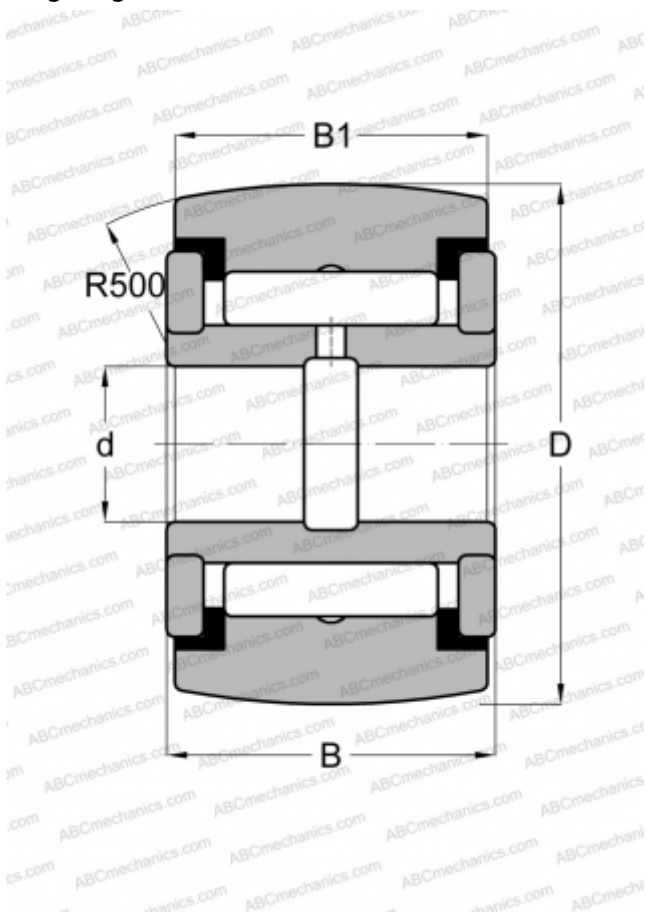


CCYR 3/4 S McGill

Yoke type track roller

TYPE: Roller bearings, Yoke type track rollers, With axial guidance, Full complement needle roller set, sealing rings on both sides, inch size



Technical specification

DIMENSIONS, MM

| | |
|----|--------|
| d | 6,350 |
| D | 19,050 |
| B | 14,288 |
| B1 | 12,700 |

WEIGHT, KG

0,027

MANUFACTURER

[McGill](#)

INTERCHANGE

| | |
|---------------|-----------------------------|
| ABC | YCRSC 12 |
| INA | RF 12 PPY |
| RBC | CY 24 L |
| SMITH BEARING | YR 3/4 XC |
| TORRINGTON | YCRSC 12 |
| IKO | CRY 12 VUUR |