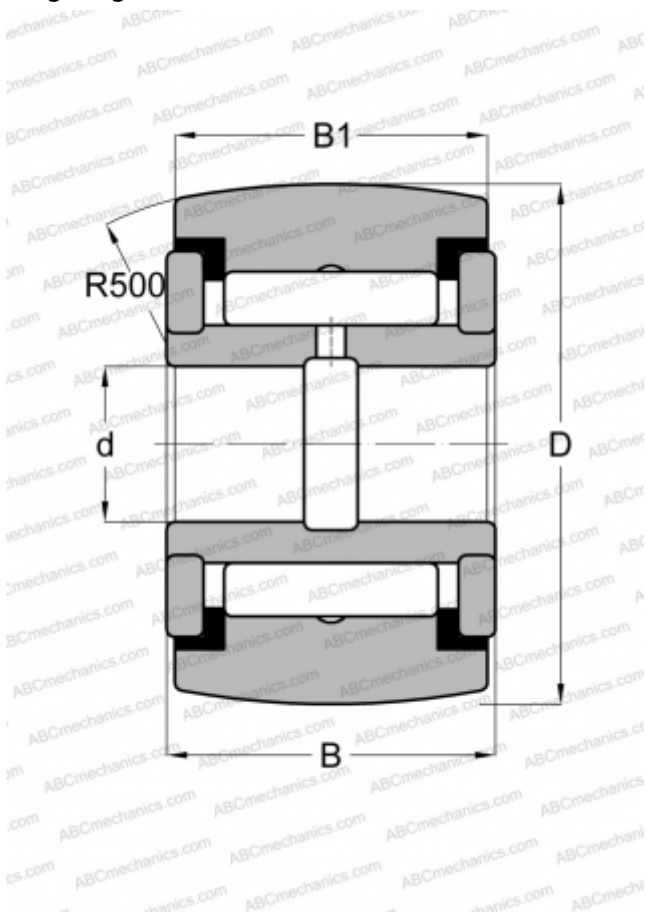


YR 3/4 XC SMITH BEARING

Yoke type track roller

TYPE: Roller bearings, Yoke type track rollers, With axial guidance, Full complement needle roller set, sealing rings on both sides, inch size



Technical specification

DIMENSIONS, MM

d	6,350
D	19,050
B	14,288
B1	12,700

WEIGHT, KG

0,027

MANUFACTURER

[SMITH BEARING](#)

INTERCHANGE

ABC	YCRSC 12
INA	RF 12 PPY
McGill	CCYR 3/4 S
RBC	CY 24 L
TORRINGTON	YCRSC 12
IKO	CRY 12 VUUR