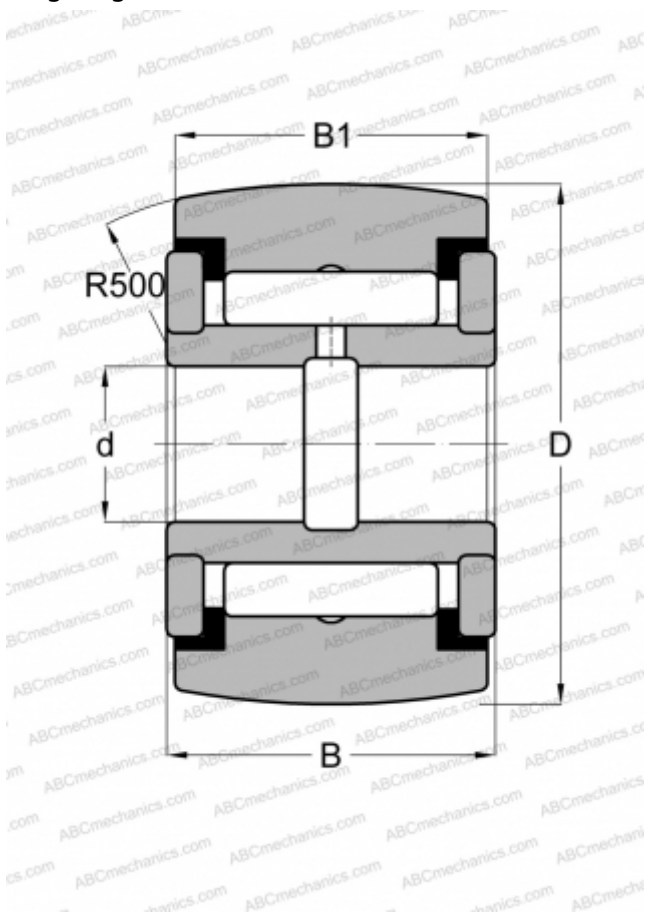


CRY 12 VUUR IKO

Yoke type track roller

TYPE: Roller bearings, Yoke type track rollers, With axial guidance, Full complement needle roller set, sealing rings on both sides, inch size



Technical specification

DIMENSIONS, MM

d	6,350
D	19,050
B	14,288
B1	12,700

WEIGHT, KG

0,027

MANUFACTURER

[IKO](#)

INTERCHANGE

ABC	YCRSC 12
INA	RF 12 PPY
McGill	CCYR 3/4 S
RBC	CY 24 L
SMITH BEARING	YR 3/4 XC
TORRINGTON	YCRSC 12

CALCULATION DATA

Basic dynamic load rating, C	8,710 kN
Basic static load rating, Co	12,300 kN