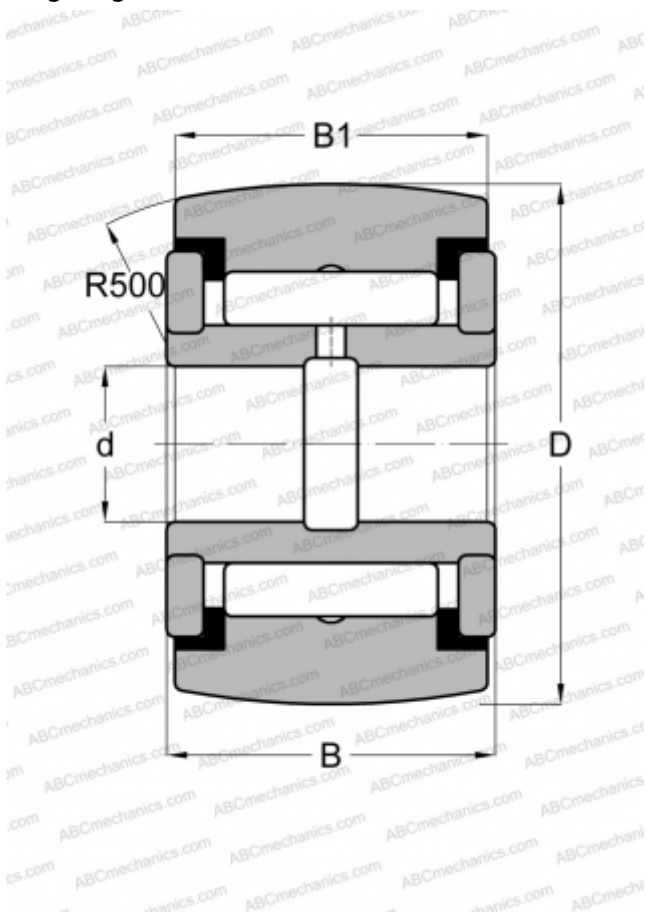


YR 1 1/4 XC SMITH BEARING

Yoke type track roller

TYPE: Roller bearings, Yoke type track rollers, With axial guidance, Full complement needle roller set, sealing rings on both sides, inch size



Technical specification

DIMENSIONS, MM

d	9,525
D	31,750
B	20,638
B1	19,050

WEIGHT, KG

0,109

MANUFACTURER

[SMITH BEARING](#)

INTERCHANGE

ABC	YCRSC 20
INA	RF 20 PPY
McGill	CCYR 1 1/4 S
RBC	CY 40 L
TORRINGTON	YCRSC 20
IKO	CRY 20 VUUR