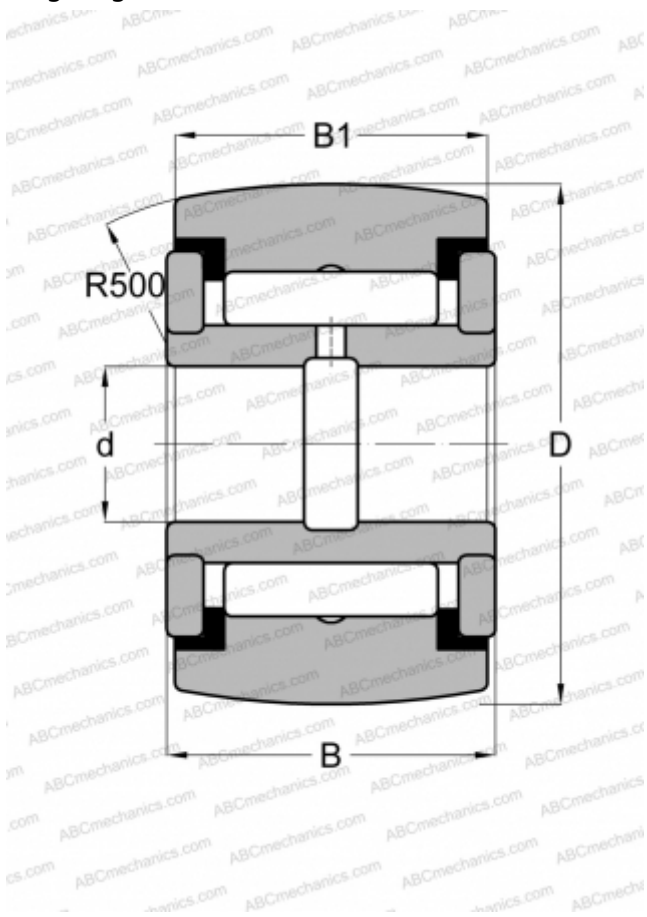


CCYR 1 5/8 S McGill

Yoke type track roller

TYPE: Roller bearings, Yoke type track rollers, With axial guidance, Full complement needle roller set, sealing rings on both sides, inch size



Technical specification

DIMENSIONS, MM

| | |
|----|--------|
| d | 11,113 |
| D | 41,275 |
| B | 23,813 |
| B1 | 22,225 |

WEIGHT, KG

0,227

MANUFACTURER

[McGill](#)

INTERCHANGE

| | |
|---------------|-----------------------------|
| ABC | YCRSC 26 |
| INA | RF 26 PPY |
| RBC | CY 52 L |
| SMITH BEARING | YR 1 5/8 XC |
| TORRINGTON | YCRSC 26 |
| IKO | CRY 26 VUUR |