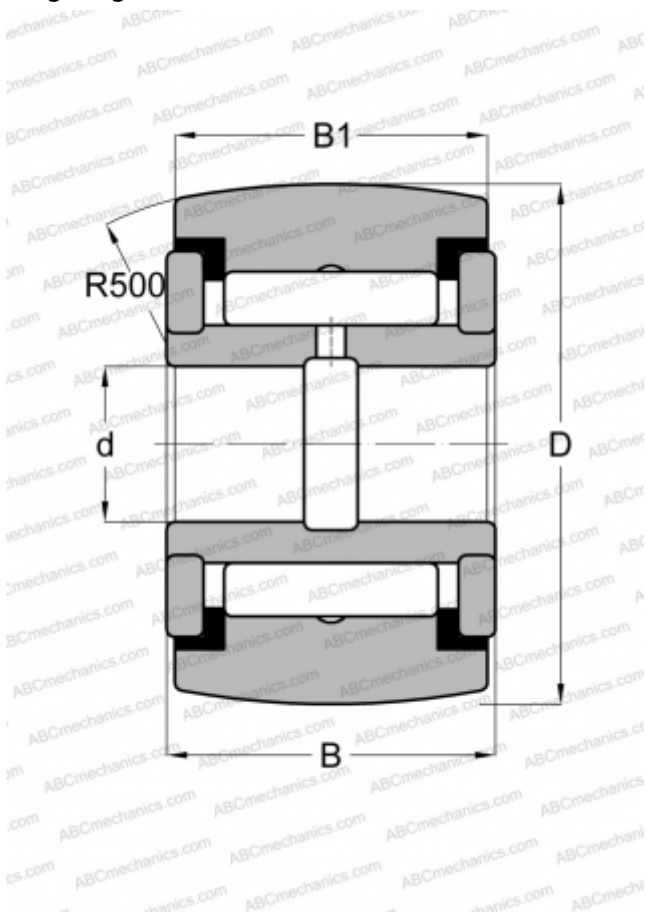


CCYR 2 S McGill

Yoke type track roller

TYPE: Roller bearings, Yoke type track rollers, With axial guidance, Full complement needle roller set, sealing rings on both sides, inch size



Technical specification

DIMENSIONS, MM

d	15,875
D	50,800
B	33,338
B1	31,750

WEIGHT, KG

0,476

MANUFACTURER

[McGill](#)

INTERCHANGE

ABC	YCRSC 32
INA	RF 32 PPY
RBC	CY 64 L
SMITH BEARING	YR 2 XC
TORRINGTON	YCRSC 32
IKO	CRY 32 VUUR