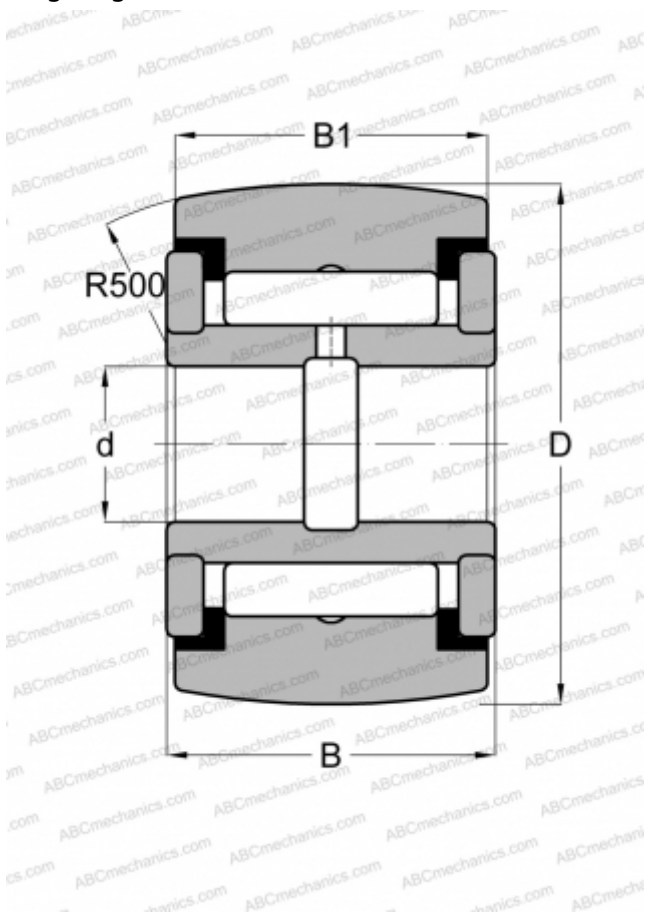


CRY 48 VUUR IKO

Yoke type track roller

TYPE: Roller bearings, Yoke type track rollers, With axial guidance, Full complement needle roller set, sealing rings on both sides, inch size



Technical specification

DIMENSIONS, MM

d	25,400
D	76,200
B	46,038
B1	44,450

WEIGHT, KG

1,410

MANUFACTURER

[IKO](#)

INTERCHANGE

ABC	YCRSC 48
INA	RF 48 PPY
McGill	CCYR 3 S
RBC	CY 96 L
SMITH BEARING	YR 3 XC
TORRINGTON	YCRSC 48

CALCULATION DATA

Basic dynamic load rating, C	77,600 kN
Basic static load rating, Co	172,000 kN