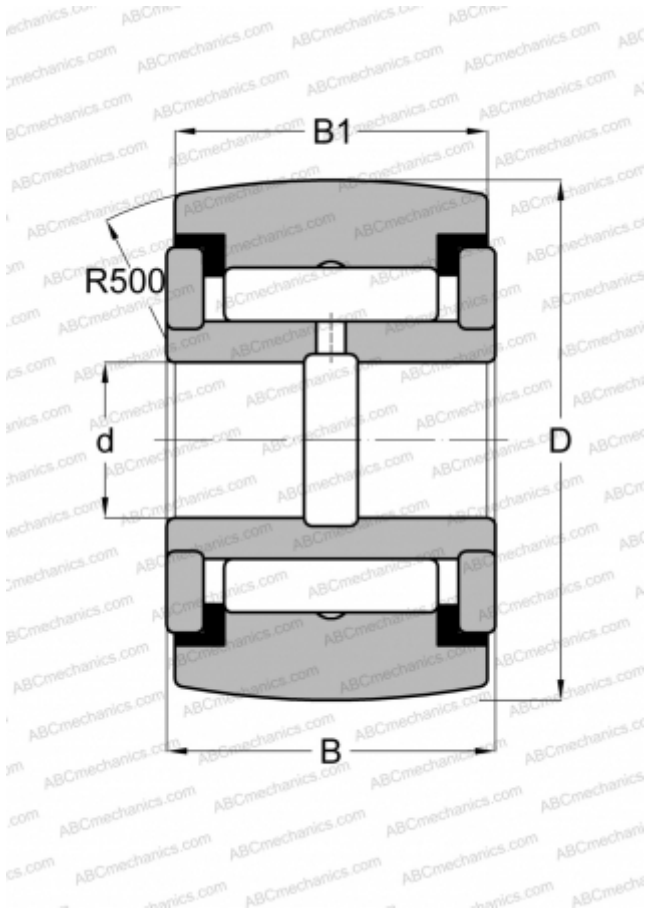


## YR 3 1/4 XC SMITH BEARING

Yoke type track roller

TYPE: Roller bearings, Yoke type track rollers, With axial guidance, Full complement needle roller set, sealing rings on both sides, inch size



### Technical specification

#### DIMENSIONS, MM

d	25,400
D	82,550
B	46,038
B1	44,450

#### WEIGHT, KG

1,642

#### MANUFACTURER

[SMITH BEARING](#)

#### INTERCHANGE

ABC	<a href="#">YCRSC 52</a>
INA	<a href="#">RF 52 PPY</a>
McGill	<a href="#">CCYR 3 1/4 S</a>
RBC	<a href="#">CY 104 L</a>
TORRINGTON	<a href="#">YCRSC 52</a>
IKO	<a href="#">CRY 52 VUUR</a>