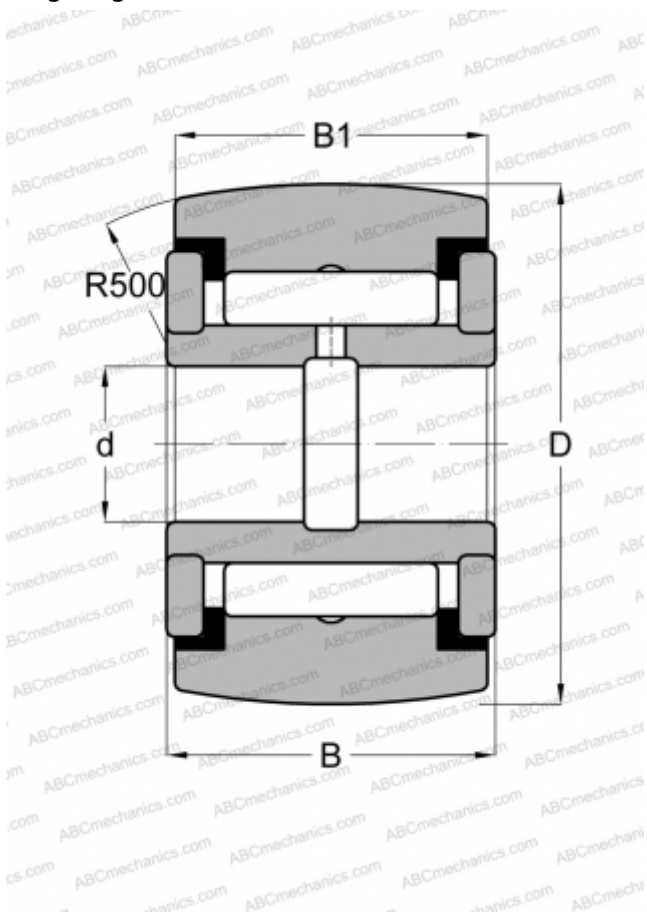


YCRSC 52 TORRINGTON

Yoke type track roller

TYPE: Roller bearings, Yoke type track rollers, With axial guidance, Full complement needle roller set, sealing rings on both sides, inch size



Technical specification

DIMENSIONS, MM

d	25,400
D	82,550
B	46,038
B1	44,450

WEIGHT, KG

1,642

MANUFACTURER

[TORRINGTON](#)

INTERCHANGE

ABC	YCRSC 52
INA	RF 52 PPY
McGill	CCYR 3 1/4 S
RBC	CY 104 L
SMITH BEARING	YR 3 1/4 XC
IKO	CRY 52 VUUR