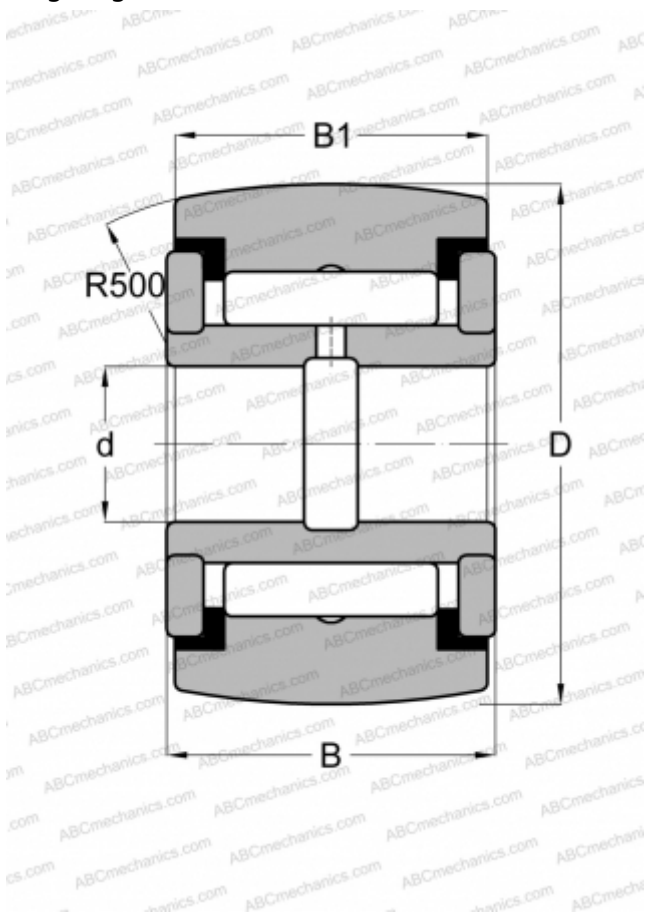


## CCYR 4 S McGill

Yoke type track roller

TYPE: Roller bearings, Yoke type track rollers, With axial guidance, Full complement needle roller set, sealing rings on both sides, inch size



### Technical specification

#### DIMENSIONS, MM

d	31,750
D	101,600
B	58,738
B1	57,150

#### WEIGHT, KG

3,198

#### MANUFACTURER

[McGill](#)

#### INTERCHANGE

ABC	<a href="#">YCRSC 64</a>
INA	<a href="#">RF 64 PPY</a>
RBC	<a href="#">CY 128 L</a>
SMITH BEARING	<a href="#">YR 4 XC</a>
TORRINGTON	<a href="#">YCRSC 64</a>
IKO	<a href="#">CRY 64 VUUR</a>