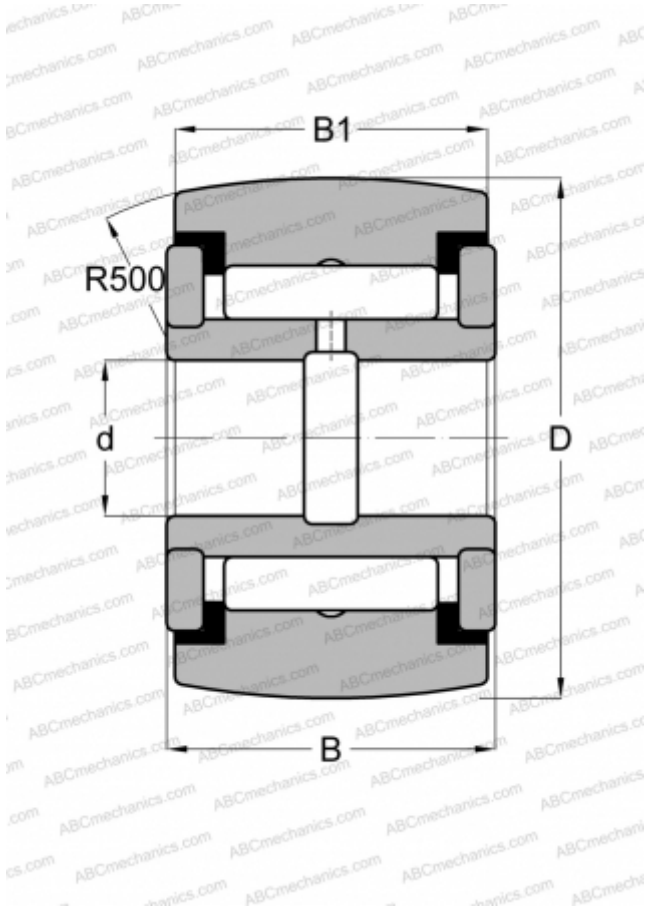


## CCYR 5 S McGill

Yoke type track roller

TYPE: Roller bearings, Yoke type track rollers, With axial guidance, Full complement needle roller set, sealing rings on both sides, inch size



### Technical specification

#### DIMENSIONS, MM

d	44,450
D	127,000
B	73,025
B1	69,850

#### WEIGHT, KG

5,987

#### MANUFACTURER

[McGill](#)

#### INTERCHANGE

ABC	<a href="#">YCRSC 80</a>
RBC	<a href="#">CY 160 L</a>
SMITH BEARING	<a href="#">YR 5 XC</a>
TORRINGTON	<a href="#">YCRSC 80</a>