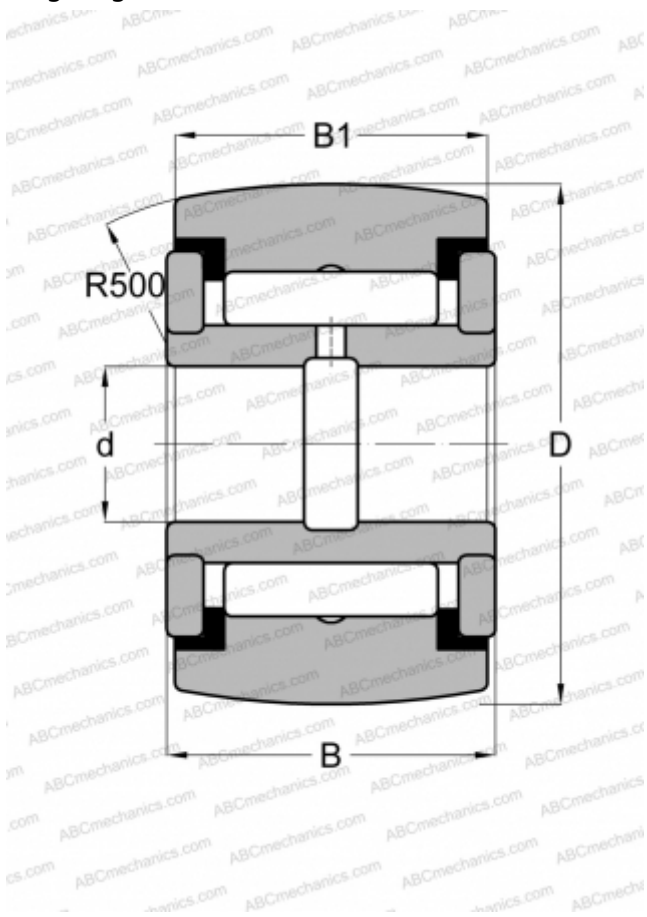


CY 160 L RBC

Yoke type track roller

TYPE: Roller bearings, Yoke type track rollers, With axial guidance, Full complement needle roller set, sealing rings on both sides, inch size



Technical specification

DIMENSIONS, MM

d	44,450
D	127,000
B	73,025
B1	69,850

WEIGHT, KG

5,987

MANUFACTURER

[RBC](#)

INTERCHANGE

ABC	YCRSC 80
McGill	CCYR 5 S
SMITH BEARING	YR 5 XC
TORRINGTON	YCRSC 80