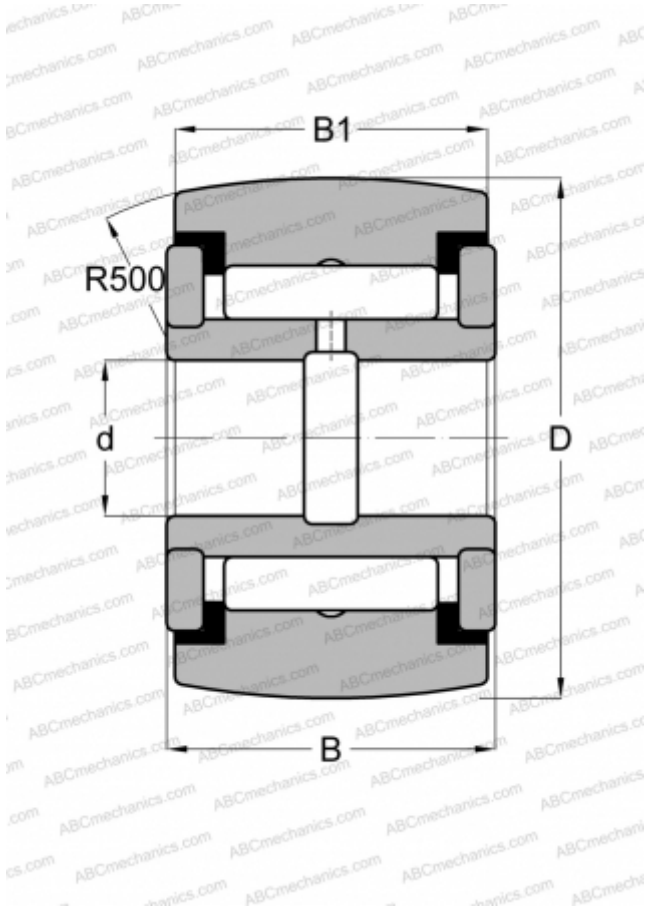


YCRSC 112 ABC

Yoke type track roller

TYPE: Roller bearings, Yoke type track rollers, With axial guidance, Full complement needle roller set, sealing rings on both sides, inch size



Technical specification

DIMENSIONS, MM

d	69,850
D	177,800
B	98,425
B1	95,250

WEIGHT, KG

15,377

MANUFACTURER

[ABC](#)

INTERCHANGE

McGill

[CCYR 7 S](#)

RBC

[CY 224 L](#)