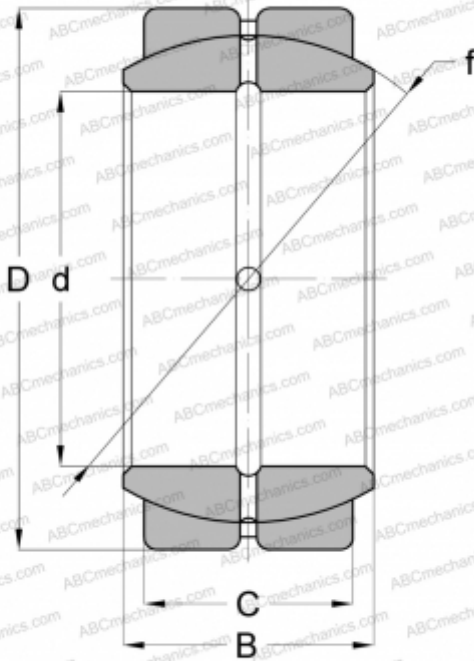


GE 4 E FAG

Spherical plain bearings

TYPE: Plain bearings, Spherical plain bearings and rod ends, Radial spherical plain bearings, Requiring maintenance, Series GE..E/ES



Technical specification

DIMENSIONS, MM

d	4,000
D	12,000
B	5,000
C	3,000

MANUFACTURER

[FAG](#)

INTERCHANGE

ABC	GE 4 E
SKF	GE 4 E
IKO	GE 4 E