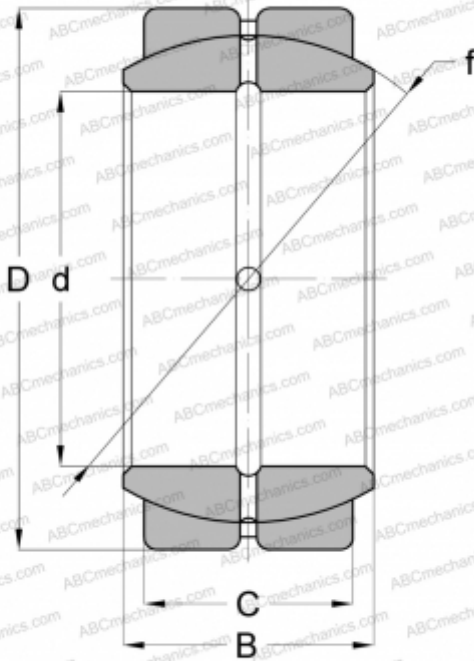


GE 4 E IKO

Spherical plain bearings

TYPE: Plain bearings, Spherical plain bearings and rod ends, Radial spherical plain bearings, Requiring maintenance, Series GE..E/ES



Technical specification

DIMENSIONS, MM

d	4,000
D	12,000
B	5,000
C	3,000

MANUFACTURER

[IKO](#)

INTERCHANGE

ABC	GE 4 E
FAG	GE 4 E
SKF	GE 4 E

CALCULATION DATA

Basic dynamic load rating, C	2,350 kN
Basic static load rating, Co	14,100 kN