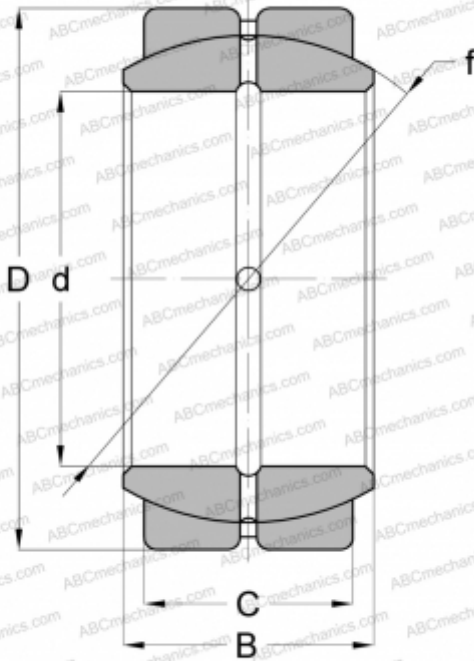


GE 6 DO INA

Spherical plain bearings

TYPE: Plain bearings, Spherical plain bearings and rod ends, Radial spherical plain bearings, Requiring maintenance, Series GE..E/ES



Technical specification

DIMENSIONS, MM

d	6,000
D	14,000
B	6,000
f	10,000
C	4,000

MANUFACTURER

[INA](#)

INTERCHANGE

ABC	GE 6 E
FAG	GE 6 E
SKF	GE 6 E
IKO	GE 6 E