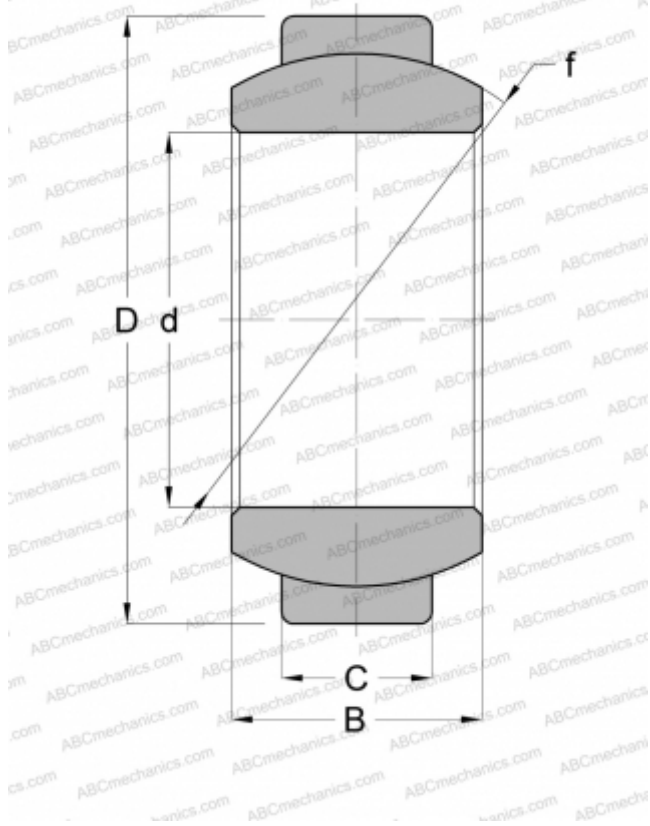


GE 12 G IKO

Spherical plain bearings

TYPE: Plain bearings, Spherical plain bearings and rod ends, Radial spherical plain bearings, Requiring maintenance, Series GEH..ES, GE..FO, GE..G(S)



Technical specification

DIMENSIONS, MM

d	12,000
D	26,000
B	15,000
C	9,000

WEIGHT, KG

0,041

MANUFACTURER

[IKO](#)

INTERCHANGE

ABC	GE 12 G
INA	GE 12 FO

CALCULATION DATA

Basic dynamic load rating, C	19,400 kN
Basic static load rating, Co	117,000 kN