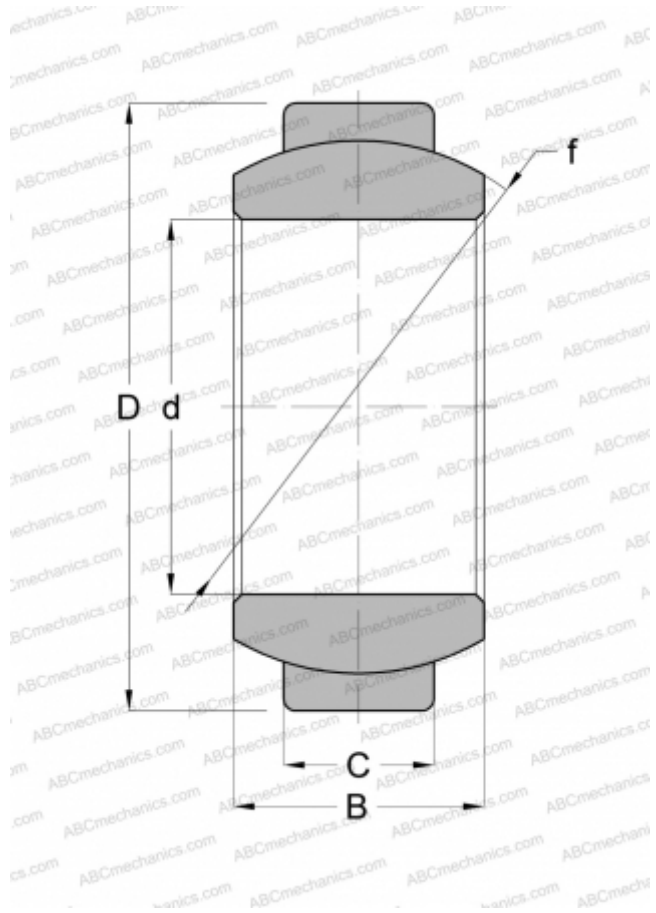


GE 25 GS IKO

Spherical plain bearings

TYPE: Plain bearings, Spherical plain bearings and rod ends, Radial spherical plain bearings, Requiring maintenance, Series GEH..ES, GE..FO, GE..G(S)



Technical specification

DIMENSIONS, MM

d	25,000
D	47,000
B	28,000
C	18,000

WEIGHT, KG

0,215

MANUFACTURER

[IKO](#)

INTERCHANGE

ABC	GE 25 GS
-----	--------------------------

CALCULATION DATA

Basic dynamic load rating, C	71,800 kN
Basic static load rating, Co	431,000 kN