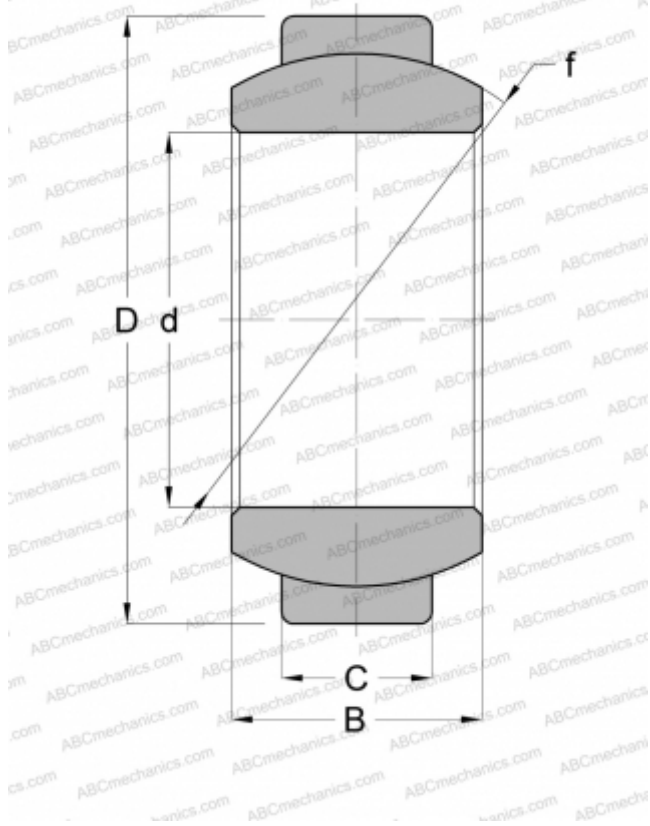


GE 80 GS IKO

Spherical plain bearings

TYPE: Plain bearings, Spherical plain bearings and rod ends, Radial spherical plain bearings, Requiring maintenance, Series GEH..ES, GE..FO, GE..G(S)



Technical specification

DIMENSIONS, MM

| | |
|---|---------|
| d | 80,000 |
| D | 130,000 |
| B | 75,000 |
| C | 50,000 |

WEIGHT, KG

3,600

MANUFACTURER

[IKO](#)

INTERCHANGE

| | |
|-----|--------------------------|
| ABC | GE 80 GS |
|-----|--------------------------|

CALCULATION DATA

| | |
|------------------------------|-------------|
| Basic dynamic load rating, C | 564,000 kN |
| Basic static load rating, Co | 3380,000 kN |