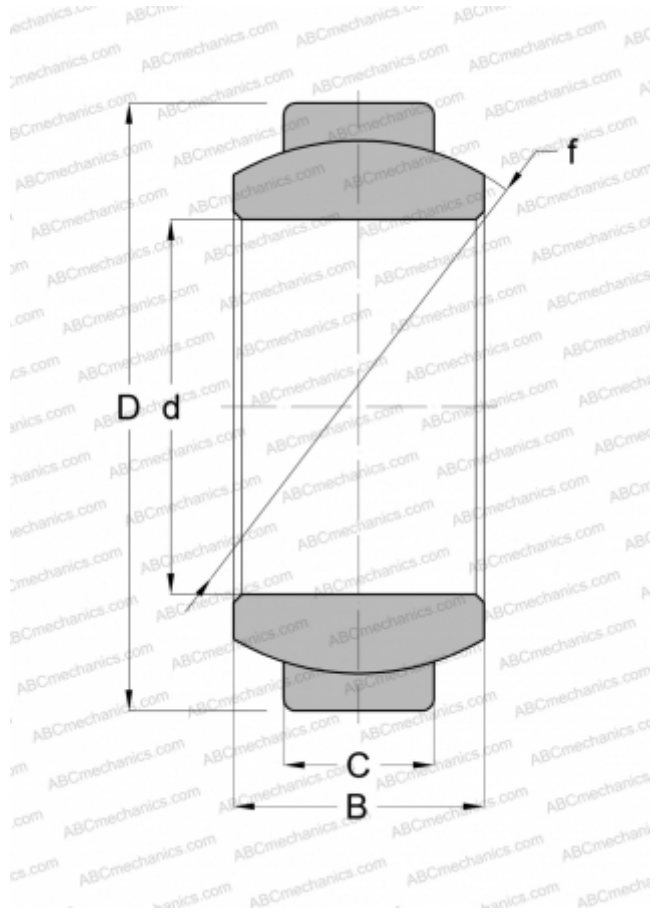


GE 240 GS IKO

Spherical plain bearings

TYPE: Plain bearings, Spherical plain bearings and rod ends, Radial spherical plain bearings, Requiring maintenance, Series GEH..ES, GE..FO, GE..G(S)



Technical specification

DIMENSIONS, MM

d	240,000
D	370,000
B	190,000
C	110,000

WEIGHT, KG

66,100

MANUFACTURER

[IKO](#)

INTERCHANGE

ABC	GE 240 GS
-----	---------------------------

CALCULATION DATA

Basic dynamic load rating, C	3510,000 kN
Basic static load rating, Co	21000,000 kN