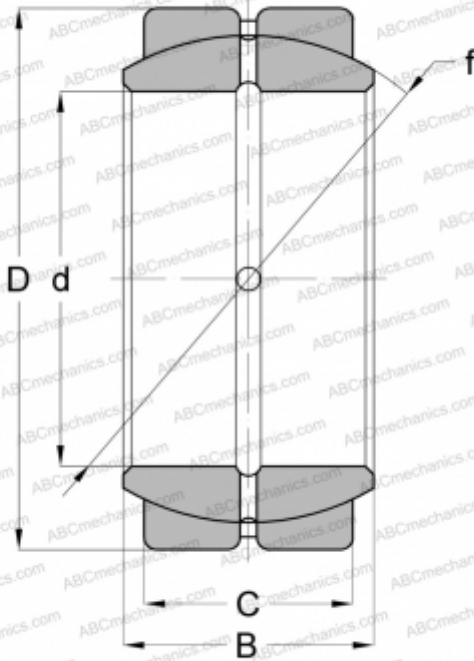


B44-L RBC

Spherical plain bearings

TYPE: Plain bearings, Spherical plain bearings and rod ends, Radial spherical plain bearings, Requiring maintenance, Inch size, series GEZ..ES, GE..ZO, SBB



Technical specification

DIMENSIONS, MM

d	69,850
D	111,125
B	61,118
C	52,388

WEIGHT, KG

2,427

MANUFACTURER

[RBC](#)

INTERCHANGE

ABC	GEZ 212 ES
INA	GE 69 ZO
SKF	GEZ 212 ES
TORRINGTON	27 SF 44
IKO	SBB 44