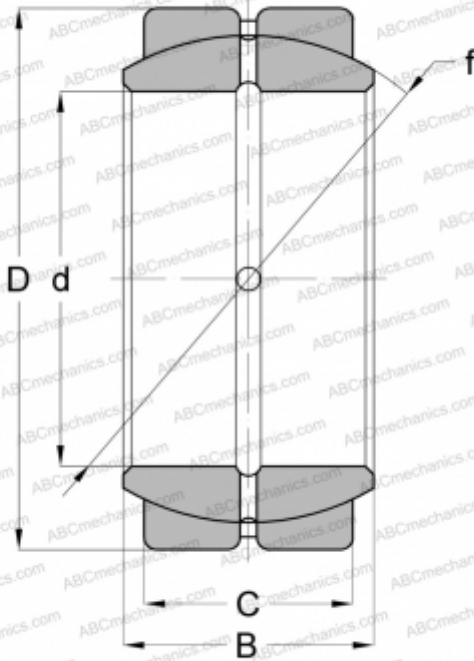


SBB 44 IKO

Spherical plain bearings

TYPE: Plain bearings, Spherical plain bearings and rod ends, Radial spherical plain bearings, Requiring maintenance, Inch size, series GEZ..ES, GE..ZO, SBB



Technical specification

DIMENSIONS, MM

d	69,850
D	111,125
B	61,110
C	52,370

WEIGHT, KG

2,440

MANUFACTURER

[IKO](#)

INTERCHANGE

ABC	GEZ 212 ES
INA	GE 69 ZO
RBC	B44-L
SKF	GEZ 212 ES
TORRINGTON	27 SF 44

CALCULATION DATA

Basic dynamic load rating, C	514,000 kN
Basic static load rating, Co	3080,000 kN