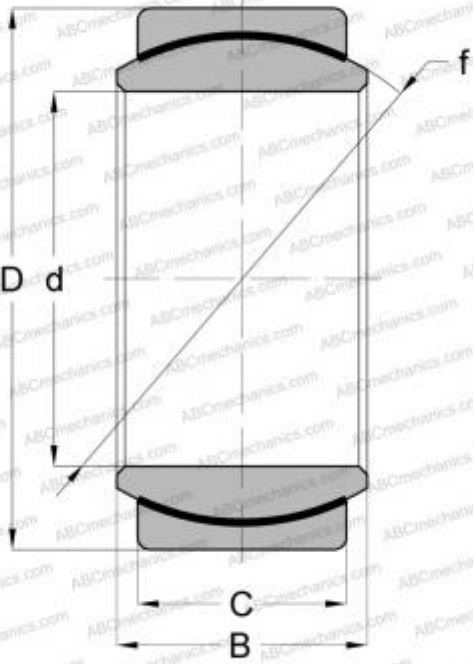


GE 4 C FAG

Spherical plain bearings

TYPE: Plain bearings, Spherical plain bearings and rod ends, Radial spherical plain bearings, Maintenance free, Series GE..C, GE..UK, GE..EC



Technical specification

DIMENSIONS, MM

d	4,000
D	12,000
B	5,000
C	3,000

WEIGHT, KG

0,005

MANUFACTURER

[FAG](#)

INTERCHANGE

ABC	GE 4 C
SKF	GE 4 C