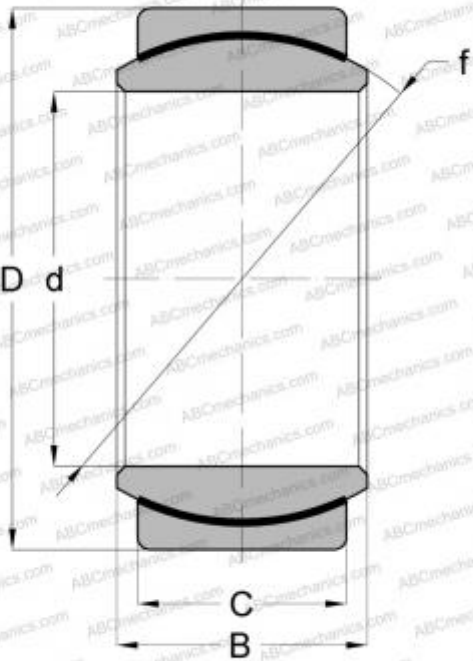


GE 6 C FAG

Spherical plain bearings

TYPE: Plain bearings, Spherical plain bearings and rod ends, Radial spherical plain bearings, Maintenance free, Series GE..C, GE..UK, GE..EC



Technical specification

DIMENSIONS, MM

d	6,000
D	14,000
B	6,000
C	4,000

WEIGHT, KG

0,005

MANUFACTURER

[FAG](#)

INTERCHANGE

ABC	GE 6 C
INA	GE 6 UK
SKF	GE 6 C