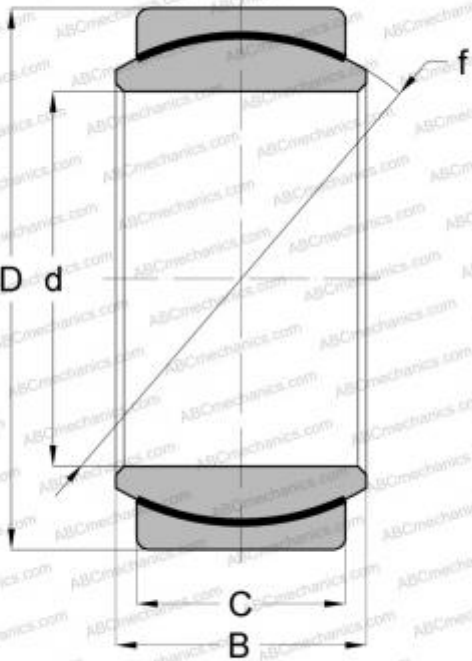


GE 6 UK INA

Spherical plain bearings

TYPE: Plain bearings, Spherical plain bearings and rod ends, Radial spherical plain bearings, Maintenance free, Series GE..C, GE..UK, GE..EC



Technical specification

DIMENSIONS, MM

d	6,000
D	14,000
B	6,000
f	10,000
C	4,000

WEIGHT, KG

0,004

MANUFACTURER

[INA](#)

INTERCHANGE

ABC	GE 6 C
FAG	GE 6 C
SKF	GE 6 C