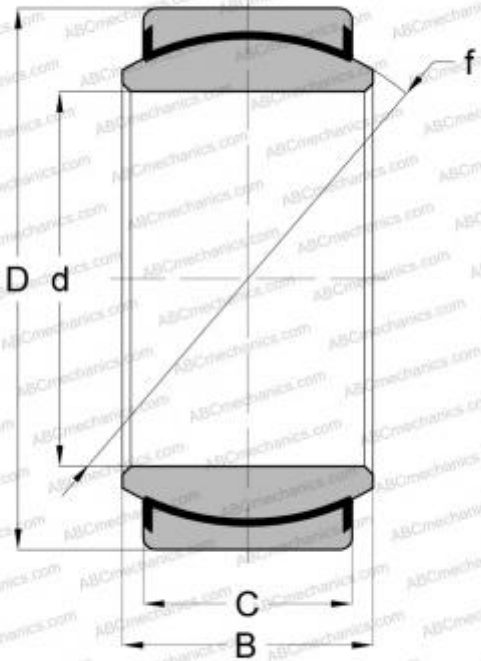


## GE 30 EC-2RS IKO

Spherical plain bearings

TYPE: Plain bearings, Spherical plain bearings and rod ends, Radial spherical plain bearings, Maintenance free, Contact seals on both side, series GE..C-2RS, GE..UK-2RS, GE..EC-2RS



### Technical specification

#### DIMENSIONS, MM

d	30,000
D	47,000
B	22,000
C	18,000

#### WEIGHT, KG

0,160

#### MANUFACTURER

[IKO](#)

#### INTERCHANGE

ABC	<a href="#">GE 30 C-2RS</a>
INA	<a href="#">GE 30 UK-2RS</a>
TORRINGTON	<a href="#">30 FSL 47</a>

#### CALCULATION DATA

Basic dynamic load rating, C	71,800 kN
Basic static load rating, Co	180,000 kN