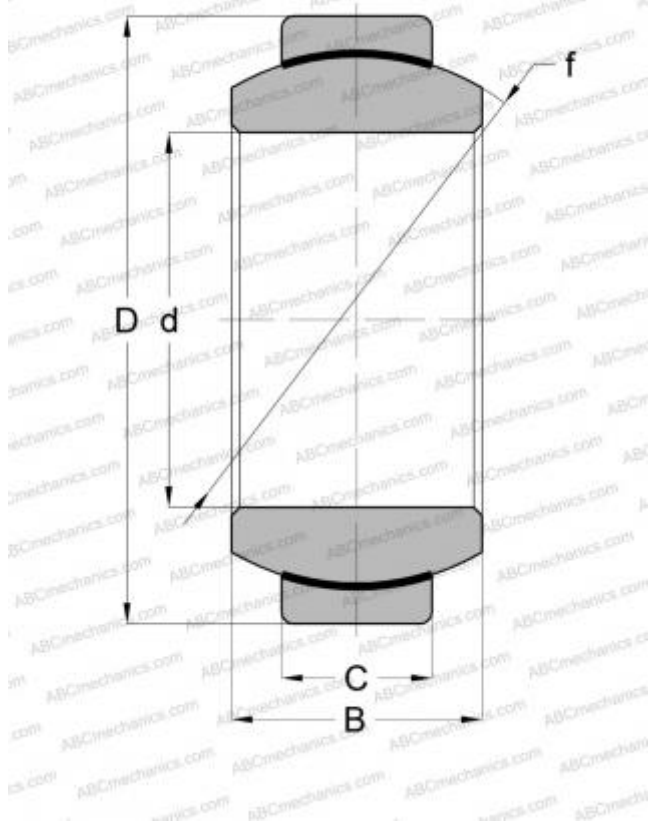


GEH 10 C SKF

Spherical plain bearings

TYPE: Plain bearings, Spherical plain bearings and rod ends, Radial spherical plain bearings, Maintenance free, Series GEH..C, GE..FW



Technical specification

DIMENSIONS, MM

d	10,000
D	22,000
B	12,000
f	18,000
C	7,000

MANUFACTURER

[SKF](#)

INTERCHANGE

ABC	GEH 10 C
FAG	GEH 10 C
INA	GE 10 FW

CALCULATION DATA

Basic dynamic load rating, C	11,400 kN
Basic static load rating, Co	28,500 kN