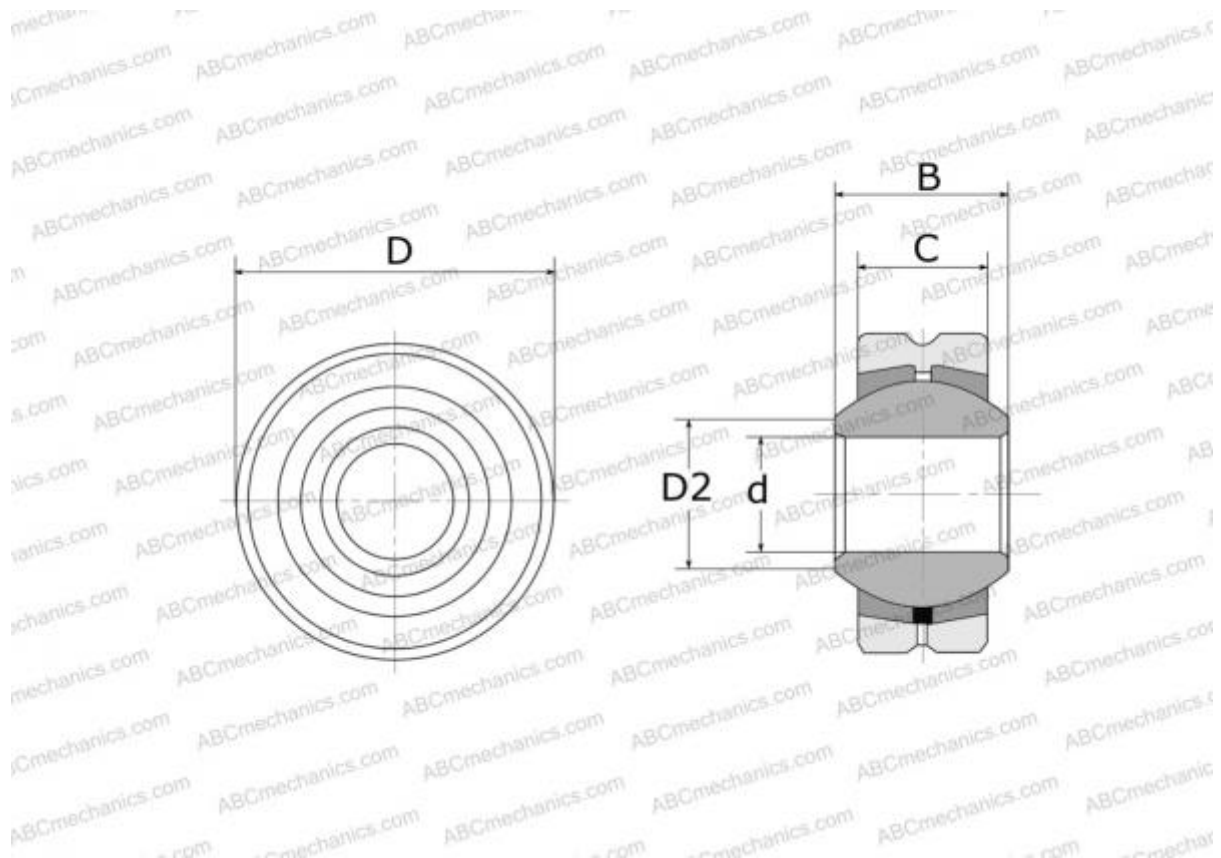


SS 8 HIRSCHMANN

Spherical plain bearings

TYPE: Plain bearings, Spherical plain bearings and rod ends, Radial spherical plain bearings, Requiring maintenance, Series PB



Technical specification

DIMENSIONS, MM

| | |
|----|--------|
| d | 8,000 |
| D | 22,000 |
| D2 | 10,400 |
| B | 12,000 |
| C | 9,000 |

WEIGHT, KG 0,024

MANUFACTURER [HIRSCHMANN](#)

INTERCHANGE

| | |
|-----|----------------------|
| ABC | PB 8 |
| IKO | PB 8 |